

VortexMaster FSV430, FSV450

Vortex flowmeter

Reliable measurement of liquids, gases and steam directly in volume, mass- or energy units

Measurement made easy



ABB common look and feel

- Easy Set-up
- Operation through the glass via capacitive keys

Automated zero point adjustment

- AutoZero-Function for zero point adjustment

Drift-free sensor for high long-term stability

Integrated online self verification

- Online preventive maintenance
- Extended maintenance cycles
- Reduced maintenance effort

Internal temperature compensation for reduction of external measuring components

Reduction of investment by integrated flow computer functions

- Direct mass- and energy calculating for steam and hot water acc. to IAPWS-IF97
- Natural gas compensation factors acc. to AGA / GERG standards

Robust wafer design

- 65 mm installation length for easy, direct exchange of standard orifices
- Higher accuracy than orifice and differential pressure flow measurements

SensorMemory technology

- Maximum data security
- Plug and play electronics replacement

Simplified spare parts management

- Common electronic components and piezo sensors for all sizes and applications

Up to 4 internal totalizer for highest transparency

- Depending on the operation mode maximum 4 internal totalizers are available for Volume, Standard-Volume, Mass and Energy

Global approvals for explosion protection

VortexMaster FSV430, FSV450

Vortex flowmeter

Overview – models



Fig. 1: FSV430 / FSV450

- ① Integral mount design in flange design ② Integral mount design in wafer type design ③ Remote mount design with transmitter ④ Remote mount design with double sensor

G11797

Sensor		
Model number	FSV430	FSV450
Design	Integral mount design, remote mount design	
IP degree of protection in accordance with EN 60529	IP 66 / 67, NEMA 4X	
Measuring accuracy for liquids ¹⁾	≤ ±0.65 % under reference conditions	
Measuring accuracy for gases and vapors ¹⁾	≤ ±0.9 % under reference conditions	
Repeatability ¹⁾	DN 15 (1/2") ≤ ±0.3 %, DN 15 (1/2") up to DN 150 (6") ≤ ±0.2 %, from DN 200 (8") ≤ ±0.25 %	
Permissible viscosity for liquids	DN 15 (1/2") ≤ 4 mPa s, DN 25 (1") ≤ 5 mPa s, from DN 40 (1 1/2") ≤ 7.5 mPa s	
Measuring span (typical)	1:20	
Process connections	– Flange: DN 15 .. 300 (1/2" ... 12") – Wafer type: DN 25 .. 150 (1" ... 6")	
Inlet / outlet sections (typical)	Inlet section: 15 x DN, outlet section 5 x DN, see also chapter "Inlet and outlet sections" on page 11.	
Temperature measurement	Resistance thermometer Pt100 class A optional, installed in Piezo sensor, can be retrofitted	Resistance thermometer Pt100 class A standard, fixed installation in Piezo sensor
Permissible measuring medium temperature	Standard: -55 ... 280 °C (-67 ... 536 °F), optional: -55 ... 400 °C (-67 ... 752 °F) (high-temperature design)	-55 ... 280 °C (-67 ... 536 °F)
Wetted material		
– Sensor	Stainless steel, optional Hastelloy C / titanium	
– Gasket	PTFE, optional Kalrez or graphite	
– Sensor housing	Stainless steel, optional Hastelloy C	
Sensor design	Piezo sensor with two pairs of sensors for flow measurement and vibration compensation	
Approvals for explosion protection	ATEX / IECEx, cFMus, NEPSI	

1) Indication of accuracy in % of the measured value (% of measured value)

Transmitter		
Model number	FSV430	FSV450
Display	Optional LCD indicator with 4 push buttons for operation through front glass (option)	Standard LCD indicator with 4 push buttons for operation through front glass
Operating modes		
– Liquids	Operating volume, standard volume, mass	Operating volume, standard volume, mass, energy
– Gases	Operating volume, standard volume, mass	Operating volume, standard volume, mass, energy
– Biogas	–	Operating volume, standard volume
– Steam	Operating volume, mass	Operating volume, mass, energy
Digital output	Optional, can be configured as pulse output, frequency output or alarm output via software	Standard, can be configured as pulse output, frequency output or alarm output via software
Inputs for external sensors¹⁾	– HART input for external pressure or temperature transmitter communicating in HART burst mode	– Analog input 4 ... 20 mA for external pressure / temperature transmitter or gas analyzer – HART input for external pressure / temperature transmitter or gas analyzer communicating in HART burst mode
Current output, communication	4 ... 20 mA, HART protocol (HART 7), Modbus RTU-RS485	4 ... 20 mA, HART protokoll (HART 7)
Power supply	HART communication: 12 ... 42 V DC, Modbus communication: 9 ... 30 V DC For devices with an explosion-proof design, please see chapter "Use in potentially explosive atmospheres" on page 24.	
SensorMemory	Saves sensor & process parameters for easy start up after transmitter exchange	
Housing material	– Aluminum (copper content < 0.3 %), component epoxy coating – Optional: stainless steel CF3M, corresponds to AISI 316L	
IP rating in accordance with EN 60529	IP 66 / IP 67, NEMA 4X	

1) Only for devices with HART communication

VortexMaster FSV430, FSV450

Vortex flowmeter

Model variants

FSV430

Vortex flowmeter for vapor, liquid and gas, with optional graphical display, optional binary output and optional integrated temperature measurement.

FSV450

Vortex flowmeter for vapor, liquid and gas, with integrated binary output, temperature compensation, and flow computer functionality.

The device offers the option of directly connecting external temperature transmitters, pressure transmitters or gas analyzers.

Measuring principle

The operating principle of the Vortex flowmeter is based on the Karman street. As the fluid flows over and under the solid body, vortices are shed alternately above and below. The shedding of these vortices due to the flow forms a vortex trail (Karman street).

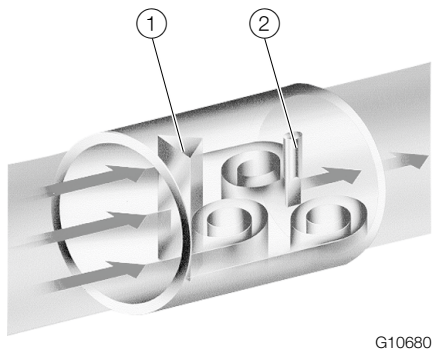


Fig. 2: Measuring principle

① Bluff body ② Piezo sensor

The frequency f of vortex shedding is proportional to the medium velocity v and inversely proportional to the width of the bluff body d .

$$f = St \times \frac{v}{d}$$

St, known as the Strouhal number, is a dimensionless number which has a decisive impact on the quality of vortex flow measurement.

If the bluff body is dimensioned appropriately, the Strouhal number (St) will be constant across a very wide range of the Reynolds number (Re).

$$Re = \frac{v \times D}{\vartheta}$$

ϑ Kinematic viscosity

D Nominal diameter of meter tube

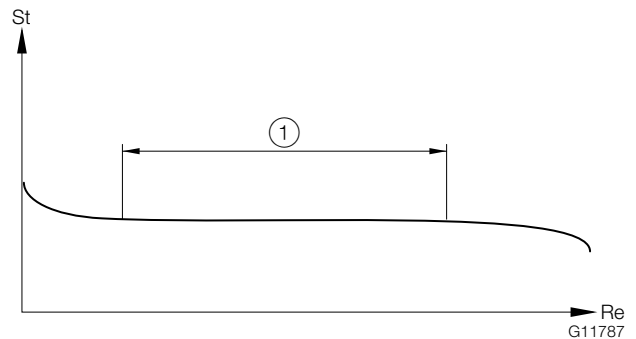


Fig. 3: Dependency of the Strouhal number on the Reynolds number

① Linear flow area

Consequently, the vortex shedding frequency to be evaluated is dependent solely upon the flow velocity and not at all upon media density and viscosity.

The local changes in pressure induced by vortex shedding are detected by a piezo sensor and converted into electrical pulses corresponding to the vortex frequency.

The frequency signal from the flowmeter sensor, which is proportional to the flow, undergoes downstream processing in the transmitter.

Flowmeter sensor

Nominal diameter selection

The nominal diameter is selected on the basis of the maximum operating flow $Q_{V_{max}}$. If maximum measuring spans are to be achieved, this figure should not be less than half the maximum flow rate for each nominal diameter ($Q_{V_{max}DN}$), although it is possible to reduce this value to approx. $0.15 Q_{V_{max}DN}$. The linear lower range value is dependent on the Reynolds number (see chapter "Measured error and repeatability" on page 6).

If the flow to be measured is present as a standard flow (standard condition: 0 °C [32 °F], 1013 mbar) or mass flow, it must be converted into an operating flow and, based on the measuring range tables (see chapter "Measuring range table" on page 8), the most appropriate nominal device diameter must be selected.

Formula elements used

ρ	Operating densities (kg/m^3)
ρ_N	Standard density (kg/m^3)
P	operating pressure (bar)
T	operating temperature ($^{\circ}\text{C}$)
Q_V	Operating flow (m^3/h)
Q_n	Standard flow (m^3/h)
Q_m	mass flowrate (kg/h)
η	dynamic viscosity (Pas)
ν	Kinematic viscosity (m^2/s)

Conversion of standard density to operating density

$$\rho = \rho_n \times \frac{1,013 + \rho}{1,013} \times \frac{273}{273 + T}$$

Conversion to operating flow

1. From standard flow (Q_n)

$$Q_V = Q_n \frac{\rho_n}{\rho} = Q_n \frac{1,013}{1,013 + \rho} \times \frac{273 + T}{273}$$

2. From mass flow (Q_m)

$$Q_V = \frac{Q_m}{\rho}$$

Conversion of dynamic viscosity --> kinematic viscosity

$$\nu = \frac{\eta}{\rho}$$

Calculation of Reynolds number

$$\text{Re} = \frac{Q}{(2827 \cdot \nu \cdot d)}$$

Q Flow in m^3/h

d Pipe diameter in m

ν kinematic viscosity (m^2/s)

The current Reynolds number can also be calculated using the ABB Product Selection Assistant (PSA tool).

Measuring accuracy

Reference conditions

Flow measurement

Set flow range	0.5 ... $1 \times Q_{V_{max}DN}$
Ambient temperature	20 °C (68 °F) $\pm 2\text{ K}$
Relative humidity	65 %, $\pm 5\%$
Air pressure	86 ... 106 kPa
Power supply	24 V DC
Signal cable length (for remote mount design)	30 m (98 ft)
Current output load	250 Ω (only 4 ... 20 mA)
Measuring medium for calibration	Water, approx. 20 °C (68 °F), 2 bar (29 psi) Air, 960 mbar abs. $\pm 50\text{ mbar}$ (14 psia $\pm 0.7\text{ psi}$), $24\text{ °C} \pm 4\text{ °C}$ ($75\text{ °F} \pm 7\text{ °F}$)
Calibration loop internal diameter	Corresponds to internal diameter of meter
Unobstructed straight upstream section	15 x DN
Downstream section	5 x DN
Pressure measurement	3 x DN ... 5 x DN downstream of the flowmeter

VortexMaster FSV430, FSV450

Vortex flowmeter

Measured error and repeatability

Flow measurement

Measured error in percentage terms from the measured value under reference conditions (including the transmitter) in the linear measuring range between $R_{e\min}$ and Q_{\max} (see the chapter "Measuring range table" on page 8).

Measured error (including transmitter) depending on the measuring medium and operating mode

Fluid	
Operating volume flow	±0,65 %
Standard volume flow	±0,75 %
Mass flow measurement	±0,75 %
Gas	
Operating volume flow	±0,90 %
Standard volume flow	±1,00 %
Mass flow measurement	±1,00 %
Steam	
Operating volume flow	±0,90 %
Measurement of overheated steam mass / saturated steam mass (with internal temperature measurement)	±2,60 %
Measurement of overheated steam mass / saturated steam mass (with internal temperature measurement and external pressure measurement)	±1,10 %
Measurement of overheated steam mass / saturated steam mass (with external temperature and pressure measurement)	±1,00 %

Measured error for current output

Additional measuring error	< 0,1 %
Temperature effect	< 0,05 % / 10 K

A pipe offset in the inlet or outlet can influence the measured error.

Additional measured errors may occur if there are deviations from the reference conditions.

Repeatability

DN 15 (1/2")	0.3 %
DN 25 ... 150 (1 ... 6")	0.2 %
DN 200 ... 300 (8 ... 12")	0.25 %

Temperature measurement

Measured error (including transmitter)

- ±1 °C or 1 % of reading (in °C), whichever is greater

Repeatability

- ≤ 0.2 % of measured value.

Permitted pipe vibration

The values specified for acceleration g are intended as guide values.

The actual limits will depend on the nominal diameter and the measuring range within the entire [measuring span] and the frequency of the pipe vibration. Therefore, the acceleration value g has only limited meaning.

- Maximum acceleration 20 m/s, 2, 0 ... 150 Hz.
- Acceleration up to 1 g (10 ... 500 Hz) in accordance with IEC 60068-2-6

Ambient conditions

Ambient temperature

In accordance with IEC 60068-2-78

Explosion protection	Ambient temperature range $T_{amb.}$	
	Standard	Extended
No explosion protection	-20 ... 85 °C(-4 ... 185 °F)	-40 ... 85 °C(-40 ... 185 °F)
Ex ia, Ex nA	-20 °C < T_a < xx °C ¹⁾ (-4 °F < T_a < xx °F) ¹⁾	-40 °C < T_a < xx °C ¹⁾ (-40 °F < T_a < xx °F) ¹⁾
Ex d ia, XP-IS	-20 ... 75 °C(-4 ... 167 °F)	-40 ... 75 °C(-40 ... 167 °F)
IS, NI	-20 °C < T_a < xx °C ¹⁾ (-4 °F < T_a < xx °F) ¹⁾	-40 °C < T_a < xx °C ¹⁾ (-40 °F < T_a < xx °F) ¹⁾

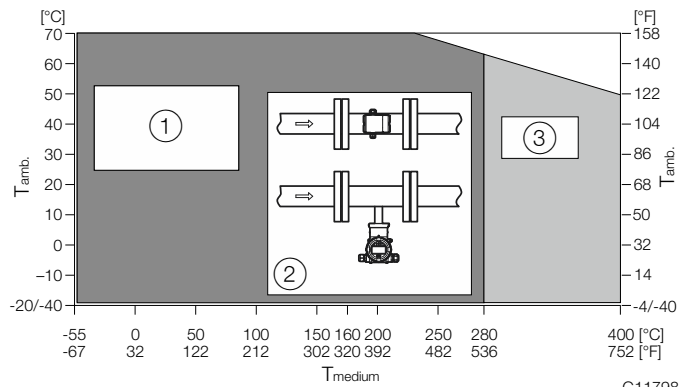
1) The temperature xx °C (xx °F) depends on the temperature class T_{class}

Relative humidity

Version	Relative humidity
Standard	Maximum 85 %, annual average \leq 65 %

Measuring medium temperature range

Version	T_{medium}
Standard	-55 ... 280 °C (-67 ... 536 °F)
High-temperature design (option)	-55 ... 400 °C (-67 ... 752 °F)



G11798

Fig. 4: Measuring medium temperature T_{medium} dependent on the ambient temperature $T_{amb.}$

- ① Permitted temperature range for standard design
- ② Installation for measuring medium temperatures $> 150^\circ\text{C}$ ($> 302^\circ\text{F}$)
- ③ High-temperature design (option) $\leq 400^\circ\text{C}$ ($\leq 752^\circ\text{F}$)

VortexMaster FSV430, FSV450

Vortex flowmeter

Measuring range table

Flow measurement for liquids

Nominal Diameter	Minimum Reynolds number		Q _{max} ·DN ³		Frequency for Q _{max} ⁴⁾ [Hz, ±5 %]
	Re1 ¹⁾	Re2 ²⁾	[m ³ /h]	[Usgpm]	
DN 15 (1/2")	11300	20000	7	31	430
DN 25 (1")	13100	20000	18	79	247
DN 40 (1 1/2")	15300	20000	48	211	193
DN 50 (2")	15100	20000	75	330	155
DN 80 (3")	44000	44000	170	749	101
DN 100 (4")	36400	36400	270	1189	73
DN 150 (6")	58000	58000	630	2774	51
DN 200 (8")	128000	128000	1100	4844	40
DN 250 (10")	100000	100000	1800	7926	33
DN 300 (12")	160000	160000	2600	11449	28

- 1) Minimum Reynolds number from which the function takes effect. For the precise flowmeter dimensions, use the PSA selection and design tool.
- 2) Minimum Reynolds number from which the specified accuracy is achieved. Below this value, the measuring error is 0.5 % of Q_{max}.
- 3) Medium velocity approx. 10 m/s (33 ft/s).
- 4) For information only, precise values can be found in the test log delivered with the device.

Flow measurement of gases and vapors

Nominal Diameter	Flange	Minimum Reynolds number		Q _{max} ·DN ³ 5)		Frequency for Q _{max} ^{4) 5)} [Hz, ±5 %]
		Re1 ¹⁾	Re2 ²⁾	[m ³ /h]	[ft ³ /min]	
DN 15 (1/2")	DIN	4950	10000	24 (42)	14,3 (25)	1510 (2640)
	ASME			22 (42)	13,1 (25)	1830 (3500)
DN 25 (1")	DIN	6600	10000	150 (150)	88 (88)	2040 (2040)
	ASME			82 (150)	48 (88)	1870 (3420)
DN 40 (1 1/2")	DIN	6750	10000	390 (390)	230 (230)	1580 (1580)
	ASME			340 (340)	200 (230)	1960 (1960)
DN 50 (2")	DIN	9950	20000	500 (500)	294 (294)	1040 (1040)
	ASME			450 (450)	265 (265)	1230 (1230)
DN 80 (3")	DIN	13000	20000	1200 (1380)	706 (812)	720 (820)
	ASME			950 (1380)	559 (812)	770 (1120)
DN 100 (4")	DIN	16800	20000	1900 (2400)	1119 (1413)	510 (640)
	ASME			1800 (2400)	1059 (1413)	640 (850)
DN 150 (6")	DIN	26500	27000	4500 (5400)	2648 (3178)	360 (430)
	ASME			4050 (5400)	2382 (3178)	410 (540)
DN 200 (8")	DIN	27600	28000	8000 (9600)	4708 (5650)	290 (350)
	ASME			6800 (9600)	4000 (5650)	290 (420)
DN 250 (10")	DIN	41000	41000	14000 (16300)	8240 (9594)	250 (290)
	ASME			12000 (16300)	7059 (9594)	240 (320)
DN 300 (12")	DIN	48000	48000	20000 (23500)	11765 (13832)	220 (260)
	ASME			17000 (23500)	10006 (13832)	190 (270)

- 1) Minimum Reynolds number from which the function takes effect. For the precise flowmeter dimensions, use the PSA selection and design tool.
- 2) Minimum Reynolds number from which the specified accuracy is achieved. Below this value, the measuring error is 0.5 % of Q_{max}.
- 3) Medium velocity approx. 90 m/s (295 ft/s). For devices with nominal diameter DN 15 (1/2"), the maximum medium velocity is 60 m/s (180 ft/s).
- 4) For information only, precise values can be found in the test log delivered with the device.
- 5) Values in brackets are for devices with an extended air calibration (Göttingen factory only)

Process connections Flange devices

Nominal Diameter	Pressure rating
DN 15 ... 300 (1/2" ... 16")	O-ring gasket DIN: PN 10 ... 40 ¹⁾ ASME: Class 150 / 300 ¹⁾
	Flat gasket (graphite) DIN: maximum PN 64 ASME: Maximum class 300

1) Higher pressure ratings up to PN 160 / class 900 on request

Wafer type devices

Nominal Diameter	Pressure rating
DN 25 ... 150 (1" ... 6")	O-ring gasket DIN: PN 64 ¹⁾ ASME: Class 150 / 300 ¹⁾
	Flat gasket (graphite) DIN: maximum PN 64 ASME: Maximum class 300

1) Higher pressure ratings up to PN 100 / class 600 on request

Materials

Materials for the sensor

Wetted components	Temperature range
Meter tube: – Stainless steel 1.4571 (AISI 316 Ti) / AISI 316L / CF8 / CF8C – Hastelloy C (optional)	-55 ... 400 °C (-67 ... 752 °F)
Sensor: – Stainless steel 1.4571 (AISI 316 Ti) – Hastelloy C (optional)	-55 ... 280 °C (-67 ... 536 °F)
	-55 ... 400 °C (-67 ... 752 °F)
Sensor gasket: ¹⁾ – PTFE O-ring – Kalrez 6375 O-ring (optional) – Graphite (optional for high- temperature design)	-55 ... 260 °C (-67 ... 500 °F)
	-20 ... 275 °C (-4 ... 527 °F)
	-55 ... 400 °C (-67 ... 752 °F)

1) Other designs on request.

Transmitter

Housing	Temperature range $T_{amb.}$
– Die-cast aluminum, copper content < 0.3 %	-40 ... 85 °C (-67 ... 185 °F)
– Stainless steel CF3M, corresponds to AISI 316L (optional)	

Material load for process connections Flange devices

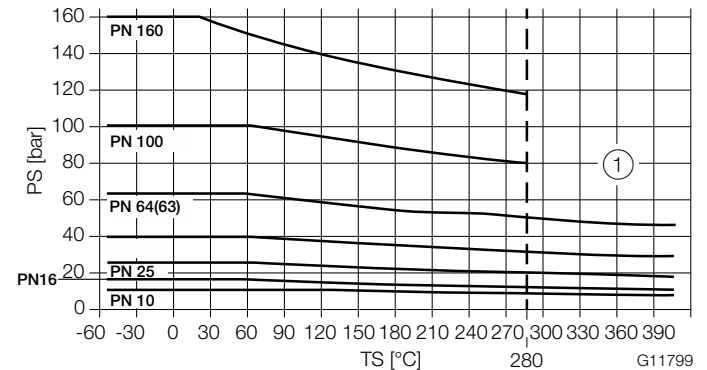


Fig. 5: DIN flange process connection

① range for high-temperature design

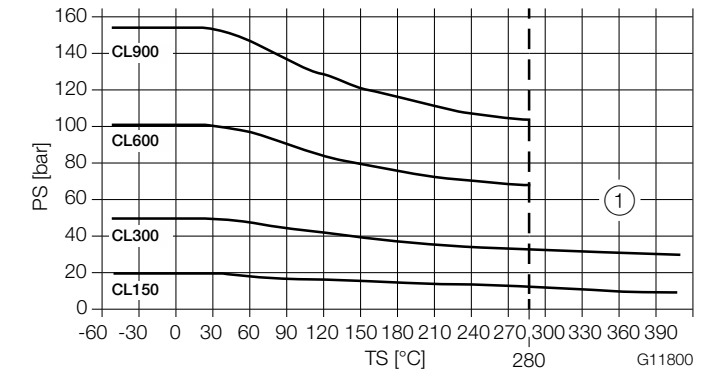


Fig. 6: ASME flange process connection

① range for high-temperature design

Aseptic flange

In accordance with DIN 11864-2

Nominal Diameter	PS [bar]	TS [°C]
DN 25 ... 40	25	140 ¹⁾
DN 50, DN 80	16	140 ¹⁾

1) When selecting suitable gasket materials

VortexMaster FSV430, FSV450

Vortex flowmeter

Wafer type devices

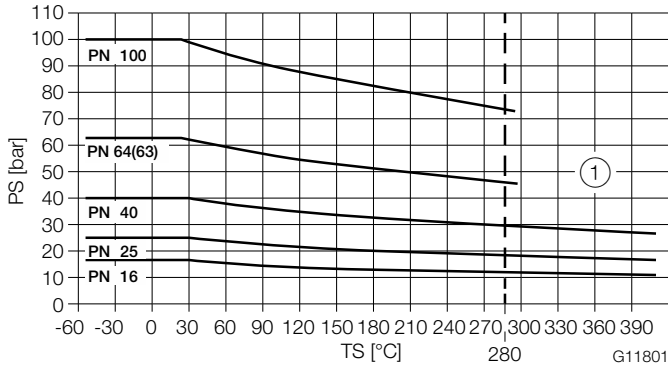


Fig. 7: DIN wafer type process connection
 ① range for high-temperature design

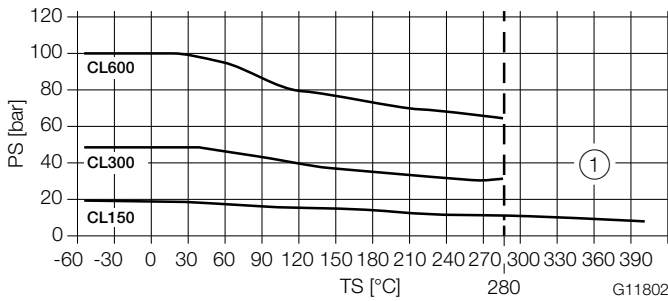


Fig. 8: ASME wafer type process connection
 ① range for high-temperature design

Installation conditions

A Vortex or Swirl flowmeter can be installed at any point in the pipeline system. However, the following installation conditions must be considered:

- Compliance with the ambient conditions
- Compliance with the recommended inlet and outlet sections
- The flow direction must correspond to that indicated by the arrow on the sensor
- Compliance with the required minimum interval for removing the transmitter and replacing the sensor
- Avoidance of mechanical vibrations of the piping (by fitting supports if necessary)
- The inside diameter of the sensor and the piping must be identical
- Avoidance of pressure oscillations in long piping systems at zero flow by fitting gates at intervals
- Attenuation of alternating (pulsating) flow during piston pump or compressor conveying by using appropriate damping devices. The residual pulse must not exceed 10 %. The frequency of the conveying equipment must not be within the range of the measuring frequency of the flowmeter.
- Valves / gates should normally be arranged in the flow direction downstream of the flowmeter (typically: 3 x DN). If the measuring medium is conveyed through piston pumps / plunger pumps or compressors (pressures for fluids > 10 bar [145 psi]), it may be subject to hydraulic vibration in the piping when the valve is closed. If this does occur, the valve absolutely has to be installed in the flow direction upstream of the flowmeter. Suitable damping devices (e.g. air vessels) might need to be fitted.

- When fluids are measured, the sensor must always be filled with measuring medium and must not run dry.
- When fluids are measured and during damping, there must be no evidence of cavitation.
- The relationship between the measuring medium and the ambient temperature must be taken into consideration (see data sheet).
- At high measuring medium temperatures > 150 °C (> 302 °F), the sensor must be installed so that the transmitter or terminal box is pointing to the side or downward.

Inlet and outlet sections

In order to maximize operational reliability, the flow profile at the inflow end must not be distorted if at all possible. The figures below show the recommended inlet and outlet sections for various installations.

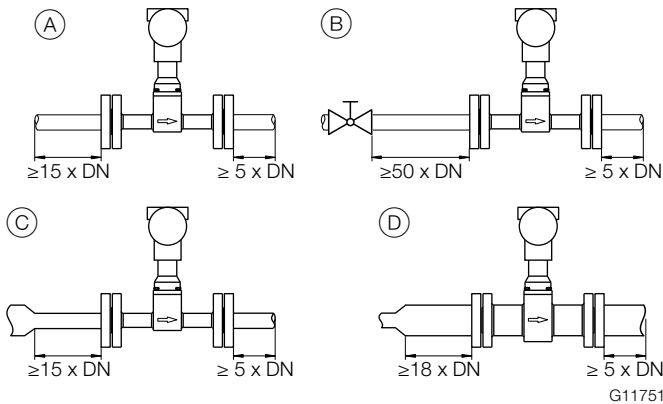


Fig. 9: Straight pipe sections

Installation	Inlet section	Outlet section
(A) Straight pipe section	min. 15 x DN	min. 5 x DN
(B) Valve upstream of the meter tube	min. 50 x DN	min. 5 x DN
(C) Pipe reduction	min. 15 x DN	min. 5 x DN
(D) Pipe extension	min. 18 x DN	min. 5 x DN

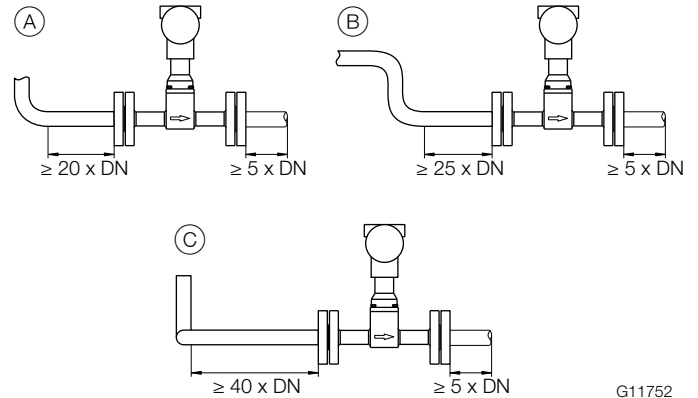


Fig. 10: Pipe sections with pipe elbows

Installation	Inlet section	Outlet section
(A) Single pipe elbow	min. 20 x DN	min. 5 x DN
(B) S-shaped pipe elbow	min. 25 x DN	min. 5 x DN
(C) Three-dimensional pipe elbow	min. 40 x DN	min. 5 x DN

Avoiding cavitation

To avoid cavitation, a static overpressure is required downstream of the flowmeter (downstream pressure). This can be estimated using the following formula:

$$p_1 \geq 1,3 \times p_2 + 2,6 \times \Delta p'$$

p_1 Static gauge pressure downstream of the device (mbar)

p_2 Steam pressure of fluid at operating temperature (mbar)

$\Delta p'$ Pressure drop, measuring medium (mbar)

Installation at high measuring medium temperatures

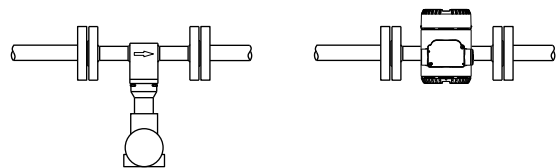


Fig. 11: Installation at high measuring medium temperatures

At high measuring medium temperatures > 150 °C (> 302 °F), the sensor must be installed so that the transmitter is pointing to the side or downward.

VortexMaster FSV430, FSV450

Vortex flowmeter

Installation for external pressure and temperature measurement

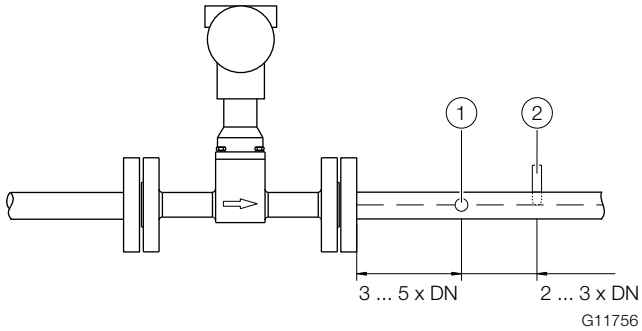


Fig. 12: Arrangement of the temperature and pressure measuring points

① Pressure measuring point ② Temperature measuring point

As an option, the flowmeter can be fitted with a Pt100 for direct temperature measurement. This temperature measurement enables, for example, the monitoring of the measuring medium temperature or the direct measurement of saturated steam in mass flow units.

If pressure and temperature are to be compensated externally (e.g. with the flow computer unit), the measuring points must be installed as illustrated.

Installation of final controlling equipment

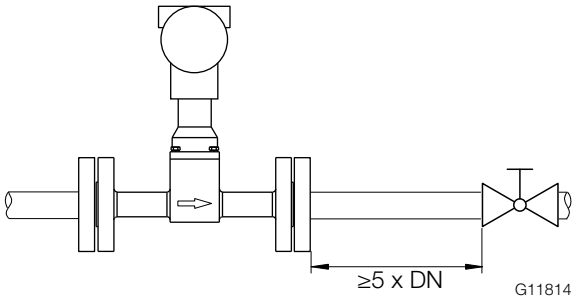


Fig. 13: Installation of final controlling equipment

Final controlling equipment must be arranged at the outflow end spaced at a minimum 5 x DN.

If the measuring medium is conveyed through piston pumps / plunger pumps or compressors (pressures for fluids > 10 bar [145 psi]), it may be subject to hydraulic vibration in the piping when the valve is closed.

If this does occur, it is essential that the valve be installed in the flow direction upstream of the flowmeter.

Suitable damping devices (such as air vessels if using a compressor for conveying) may need to be used.

Sensor insulation

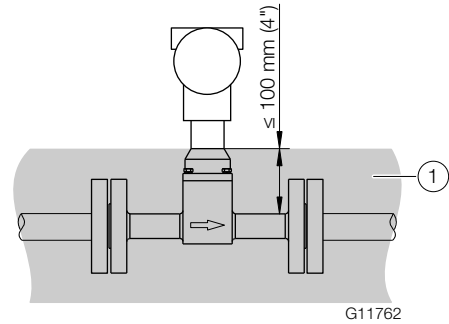


Fig. 14: Insulation of the meter tube

① Insulation

The piping can be insulated up to a thickness of 100 mm (4 inch).

Use of trace heating

Trace heating may be used under the following conditions:

- If it is installed directly on or around the piping
- If, in the case of existing pipeline insulation, it is installed inside the insulation (the maximum thickness of 100 mm [4 inch] must not be exceeded)
- If the maximum temperature the trace heating is able to produce is less than or equal to the maximum medium temperature.

NOTE

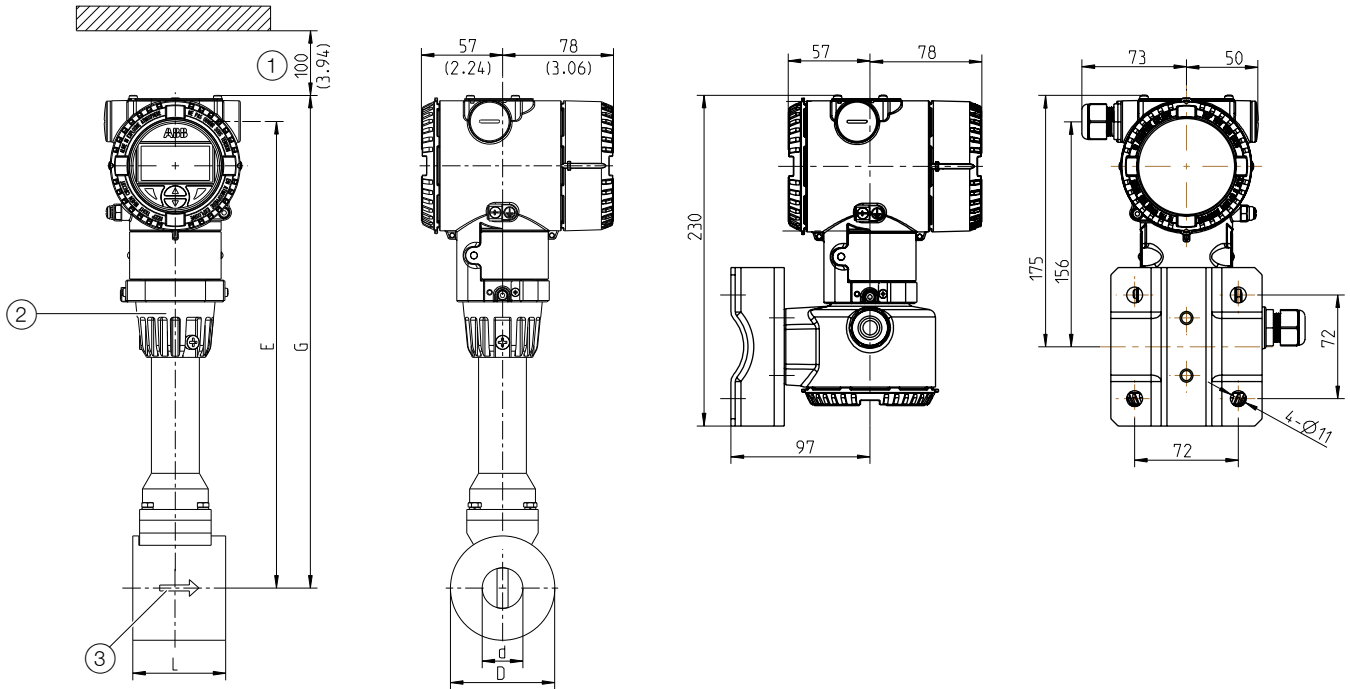
The installation requirements set out in EN 60079-14 must be observed.

Please note that the use of trace heaters will not impair EMC protection or generate additional vibrations.

Dimensions

Model FSV430 / FSV450, wafer type design in accordance with DIN and ASME

All dimensions in mm (inch), weights in kg (lb)



G11803

Fig. 15: Dimensions

① Required minimum distance for removal of the transmitter and removal of the sensor unit ② Can be rotated up to 360° ③ Flow direction

Dimensions for sensors, wafer type design in accordance with DIN

Nominal Diameter	Pressure rating	L	E	D	G	d	Weight ¹⁾
DN 25	PN 64	65 (2.56)	301 (11.85)	73 (2.87)	320 (12.60)	28.5 (1.12)	4.1 (9.0)
DN 40	PN 64	65 (2.56)	317 (12.48)	94 (3.70)	336 (13.23)	43 (1.69)	4.8 (10.6)
DN 50	PN 64	65 (2.56)	325 (12.80)	109 (4.29)	344 (13.54)	54.4 (2.14)	5.6 (12.4)
DN 80	PN 64	65 (2.56)	339 (13.35)	144 (5.67)	358 (14.09)	82.4 (3.24)	7.6 (16.8)
DN 100	PN 64	65 (2.56)	347 (13.66)	164 (6.46)	366 (14.41)	106.8 (4.20)	8.5 (18.7)
DN 150	PN 64	65 (2.56)	379 (14.92)	220 (8.66)	398 (15.67)	159.3 (6.27)	13 (28.7)

Dimensions for sensors, wafer type design in accordance with ASME

Nominal Diameter	Pressure rating	L	E	D	G	d	Weight ¹⁾
1"	CL 300	112.5 (4.43)	311 (12.24)	70.5 (2.78)	330 (12.99)	24.3 (0.96)	5.1 (11.2)
1 1/2"	CL 300	113 (4.45)	317 (12.48)	89.5 (3.52)	336 (13.23)	38.1 (1.50)	6.1 (13.5)
2"	CL 150 / CL 300	112.5 (4.43)	323 (12.72)	106.5 (4.19)	342 (13.46)	49.2 (1.94)	8.4 (18.5)
3"	CL 300	111 (4.37)	339 (13.35)	138.5 (5.45)	358 (14.09)	73.7 (2.90)	11.2 (24.7)
4"	CL 300	116 (4.57)	352 (13.86)	176.5 (6.95)	371 (14.61)	97.2 (3.83)	17.2 (37.9)
6"	CL 300	137 (5.39)	379 (14.92)	222.2 (8.75)	398 (15.67)	146.4 (5.76)	25.7 (56.7)

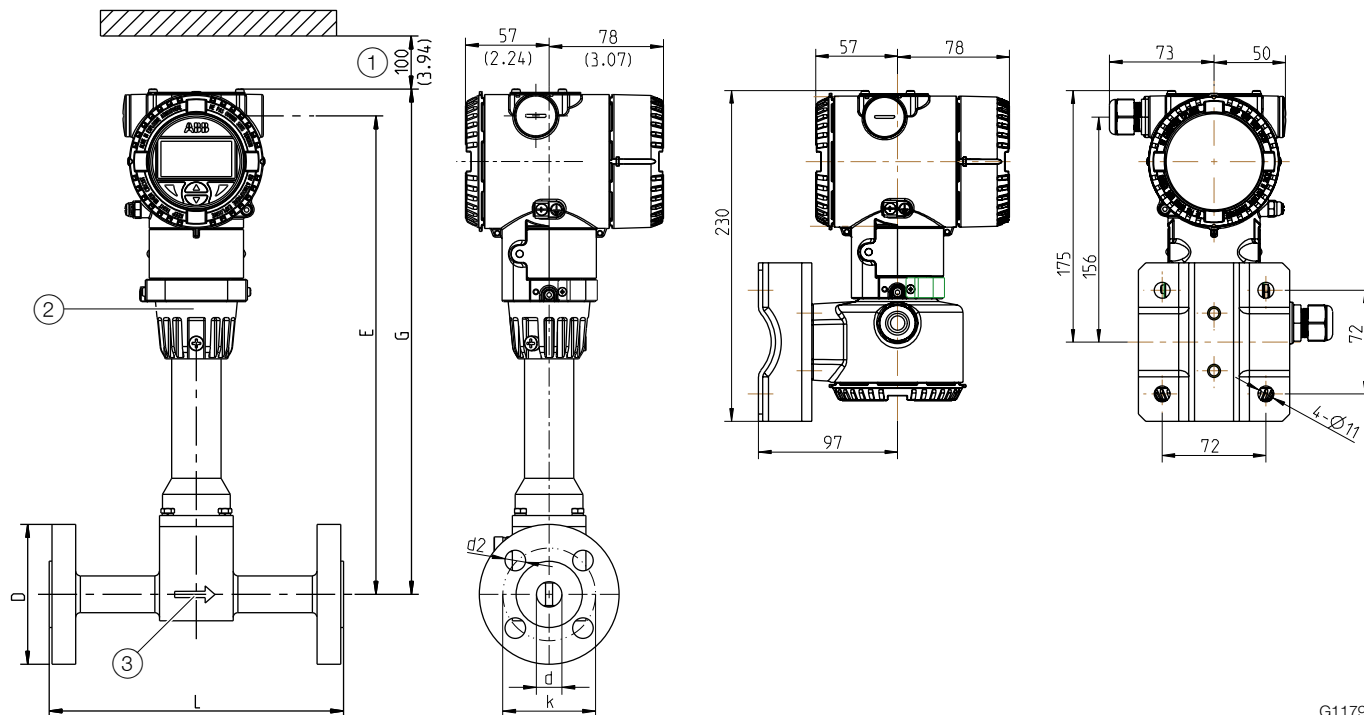
1) For devices with stainless steel transmitter housing, 2 kg (4.4 lb) must be added to the specified weight.

VortexMaster FSV430, FSV450

Vortex flowmeter

Model FSV430 / FSV450, flange design in accordance with DIN and ASME

All dimensions in mm (inch), weights in kg (lb)



G11791

Fig. 16: Dimensions in mm (inches)

① Required minimum distance for removal of the transmitter and removal of the sensor unit ② Can be rotated up to 360° ③ Flow direction

Dimensions for sensors with DIN flanges

Nominal Diameter	Pressure rating	L	E	D	G	d	Weight ¹⁾
DN 15	PN 10 ... 40	200 (7.87)	323 (12.72)	95 (3.74)	342 (13.46)	17.3 (0.68)	4.5 (9.9)
	PN 64. PN 100. PN 160	200 (7.87)		105 (4.13)			5.4 (11.9)
DN 25	PN 10 ... 40	200 (7.87)	340 (13.39)	115 (4.53)	359 (14.13)	28.5 (1.12)	5.1 (11.2)
	PN 64. PN 100. PN 160	210 (8.27)		140 (5.51)			7.8 (17.2)
DN 40	PN 10 ... 40	200 (7.87)	318 (12.52)	150 (5.91)	337 (13.26)	43.1 (1.70)	6.6 (14.6)
	PN 64. PN 100	220 (8.66)		170 (6.69)			10.1 (22.3)
	PN 160	225 (8.86)		170 (6.69)			10.5 (23.2)
DN 50	PN 10 ... 40	200 (7.87)	325 (12.80)	165 (6.50)	344 (13.54)	54.5 (2.15)	8.7 (19.2)
	PN 64	220 (8.66)		180 (7.09)			12.2 (26.9)
	PN 100	230 (9.06)		195 (7.68)			15.1 (33.3)
	PN 160	245 (9.65)		195 (7.68)			15.6 (34.4)

1) For devices with stainless steel transmitter housing, 2 kg (4.4 lb) must be added to the specified weight.

Tolerance for dimension L: DN 15 ... 200 +0 / -3 mm (+0 / -0.12 inch)

Dimensions for sensors with DIN flanges (continued)

Nominal Diameter	Pressure rating	L	E	D	G	d	Weight ¹⁾
DN 80	PN 10 . PN 40	200 (7.87)	343 (13.50)	200 (7.87)	362 (14.25)	82.5 (3.25)	13.1 (28.9)
	PN 64	250 (9.84)		215 (8.46)			17 (37.5)
	PN 100	260 (10.24)		230 (9.06)			21.4 (47.2)
	PN 160	280 (11.02)		230 (9.06)			22.9 (50.5)
DN 100	PN 10 . PN 16	250 (9.84)	352 (13.86)	220 (8.66)	371 (14.60)	107.1 (4.22)	14 (30.9)
	PN 25 . PN 40	250 (9.84)		235 (9.25)			17.8 (39.2)
	PN 64	270 (10.63)		250 (9.84)			24.1 (53.1)
	PN 100	300 (11.81)		265 (10.43)			32.2 (71.0)
	PN 160	320 (12.60)		265 (10.43)			34.4 (75.9)
DN 150	PN 10 . PN 16	300 (11.81)	379 (14.92)	285 (11.22)	398 (15.67)	159.3 (6.72)	25.4 (56.0)
	PN 25 . PN 40	300 (11.81)		300 (11.81)			33.6 (74.1)
	PN 64	330 (12.99)		345 (13.58)			53.8 (118.6)
	PN 100	370 (14.57)		355 (13.98)			70.4 (155.2)
	PN 160	390 (15.35)		355 (13.98)			75 (165.4)
DN 200	PN 10 . PN 16	350 (13.78)	441 (17.36)	340 (13.39)	460 (18.11)	206.5 (8.13)	45.3 (99.9)
	PN 25	350 (13.78)		360 (14.17)			66.3 (146.2)
	PN 40	350 (13.78)		375 (14.76)			66.3 (146.2)
	PN 64	370 (14.57)		415 (16.34)			93.1 (205.3)
DN 250	PN 10 / PN 16	450 (17.72)	466 (18.35)	395 / 405 (15.55 / 15.94)	485 (19.09)	259 (10.20)	67.4 (148.6)
	PN 25 / PN 40	450 (17.72)		425 / 450 (16.73 / 17.72)			106.4 (234.6)
	PN 64	450 (17.72)		470 (18.50)			135.6 (299.0)
DN 300	PN 10 / PN 16	500 (19.69)	491 (19.33)	445 / 460 (17.52 / 18.11)	510 (20.08)	307.9 (12.12)	77.2 (170.2)
	PN 25 / PN 40	500 (19.69)		485 / 515 (19.09 / 20.28)			123.2 (271.6)
	PN 64	500 (19.69)		530 (20.87)			170.6 (376.1)

1) For devices with stainless steel transmitter housing, 2 kg (4.4 lb) must be added to the specified weight.

Tolerance for dimension L: DN 15 ... 200 +0 / -3 mm (+0 / -0.12 inch), DN 300 ... 400 +0 / -5 mm (+0 / -0.20 inch)

VortexMaster FSV430, FSV450

Vortex flowmeter

Dimensions for sensors with ASME flanges							
Nominal Diameter	Pressure rating	L	E	D	G	d	Weight ¹⁾
1/2"	CL 150	200 (7.87)	323 (12.72)	88.9 (3.5)	342 (13.46)	15.7 (0.62)	5.0 (11)
	CL 300	200 (7.87)		95.2 (3.75)			5.1 (11.2)
	CL 600	200 (7.87)		95.3 (3.75)			5.2 (11.5)
	CL 900	200 (7.87)		120.6 (4.75)			7.9 (17.4)
1"	CL 150	200 (7.87)	340 (13.39)	108 (4.25)	359 (14.13)	24.3 (0.96)	5.7 (12.6)
	CL 300	200 (7.87)		124 (4.88)			6.7 (14.8)
	CL 600	220 (8.66)		124 (4.88)			7.3 (16.1)
	CL 900	240 (9.45)		149.3 (5.88)			11.2 (24.7)
1 1/2"	CL 150	200 (7.87)	318 (12.52)	127 (5.0)	337 (13.26)	38.1 (1.50)	8.5 (18.7)
	CL 300	200 (7.87)		155.6 (6.13)			10.9 (24)
	CL 600	235 (9.25)		155.6 (6.13)			12.1 (26.7)
	CL 900	260 (10.24)		177.8 (7.0)			17.0 (37.5)
2"	CL 150	200 (7.87)	325 (12.80)	152.4 (6.0)	344 (13.54)	49.2 (1.94)	10.1 (22.3)
	CL 300	200 (7.87)		165 (6.5)			11.7 (25.8)
	CL 600	240 (9.45)		165 (6.5)			13.6 (30)
	CL 900	300 (11.81)		215.9 (8.5)			26.5 (58.4)
3"	CL 150	200 (7.87)	343 (13.50)	190.5 (7.5)	362 (14.25)	73.7 (2.90)	17.6 (38.8)
	CL 300	200 (7.87)		209.5 (8.25)			21.7 (47.8)
	CL 600	265 (10.43)		209.5 (8.25)			25.8 (56.9)
	CL 900	305 (12.01)		241.3 (9.5)			35.0 (77.2)
4"	CL 150	250 (9.84)	352 (13.86)	228.6 (9.0)	371 (14.60)	97.2 (3.83)	20.1 (44.3)
	CL 300	250 (9.84)		254 (10.0)			28.8 (63.5)
	CL 600	315 (12.40)		273.1 (10.75)			41.4 (91.3)
	CL 900	340 (13.39)		292.1 (11.5)			51.4 (113.3)
6"	CL 150	300 (11.81)	379 (14.92)	279.4 (11.0)	398 (15.67)	146.4 (5.76)	32.8 (72.3)
	CL 300	300 (11.81)		317.5 (12.5)			49.8 (109.8)
	CL 600	365 (14.37)		355.6 (14)			81.6 (179.9)
	CL 900	410 (16.14)		381 (15)			106.8 (235.5)
8"	CL 150	350 (13.78)	441 (17.36)	343 (13.5)	460 (18.11)	194 (7.64)	51 (113)
	CL 300	350 (13.78)		381 (15)			77 (170)
	CL 600	415 (16.34)		419.1 (16.5)			106 (234)
	CL 900	470 (18.5)		469.9 (18.5)			122 (270)
10"	CL 150	450 (17.72)	466 (18.35)	406.4 (16)	485 (19.09)	253 (9.96)	77 (170)
	CL 300	450 (17.72)		444.5 (17.5)			106 (23)
	CL 600	470 (18.50)		508 (20)			156 (234)
12"	CL 150	500 (19.69)	491 (19.33)	482.6 (19)	510 (20.08)	304 (11.97)	93 (205)
	CL 300	500 (19.69)		520.7 (20.5)			143 (315)
	CL 600	580 (22.83)		558.8 (22)			196 (430)

1) For devices with stainless steel transmitter housing. 2 kg (4.4 lb) must be added to the specified weight.

Tolerance for dimension L: 1/2" ... 8" +0 / -3 mm (+0 / -0.12 inch). 12" ... 16" +0 / -5 mm (+0 / -0.20 inch)

Transmitter

Model variants

The transmitter is available in two versions:
With 4 ... 20 mA current output and HART communication, or with Modbus communication.

Features — devices with current output and HART communication

- 4 ... 20 mA current / HART 7 output.
- Current output in the event of an alarm can be configured to 21 ... 23 mA (NAMUR NE43).
- Measuring range: Can be configured between 0.15 ... $1 \times Q_{\max DN}$.
- Operating mode for flow measurement can be configured.
- Programmable digital output. Can be configured as frequency output, pulse output or binary output (option for FSx430, standard for FSx450).
- Programmable analog input 4 ... 20 mA for connecting external sensors, e.g. pressure or temperature sensor (optional for FSx430, standard for FSx450).
- HART communication with external sensors, e.g. pressure or temperature sensor.
- Parameterization by means of HART communication.
- Damping: 0 ... 100 s configurable (1τ).
- Low flow cut-off: 0 ... 20 % for current and pulse output.
- Measuring medium parameters can be changed at any time (pressure and temperature influence, density, units, etc.).
- Simulation of current and binary output (manual process execution).

Features — devices with Modbus communication

- Modbus interface.
- Operating mode for flow measurement can be configured.
- Programmable digital output. Can be configured as a frequency, pulse or binary output.
- Damping: 0 ... 100 s configurable (1τ).
- Low flow cut-off: 0 ... 20 % for pulse output.
- Measuring medium parameters can be changed at any time (pressure and temperature influence, density, units, etc.).
- Simulation of binary output (manual process execution).

Operating modes

The following operating modes can be selected depending on the design.

Measuring medium	FSS430	FSV450
Fluids	Liquid Volume, Liquid Std/Norm Vol., Liquid Mass	Liquid Volume, Liquid Std/Norm Vol., Liquid Mass, Liquid Energy
Gases	Gas Act. Volume, Gas Std/Norm Vol., Gas Mass	Gas Act. Volume, Gas Std/Norm Vol., Gas Mass, Gas Power
Biogas	—	Bio Act. Volume, Bio Std/Norm Vol.
Steam	Steam Act. Volume, Steam/Water Mass	Steam Act. Volume, Steam/Water Mass, Steam/Water Energy

LCD indicator (option)

- High-contrast LCD indicator.
- Display of the current flow rate as well as the total flow rate or the temperature of the measuring medium (optional).
- Application-specific visualizations which the user can select. Four operator pages can be configured to display multiple values in parallel.
- Plain text fault diagnostics
- Menu-guided parameterization with four buttons.
- "Easy Set-up" function for fast commissioning.
- Parameterization of the device through the front glass with the housing closed (optional).
- During ongoing operation, the LCD indicator can be connected or disconnected and therefore also used as a configuration tool for other devices.

IP decree of protection

- IP 66 / 67 in accordance with EN 60529
- NEMA 4x
- "Dual seal device" in accordance with ANSI/ISA 12.27.01 (only for devices with explosion-proof design with type of protection "Ex d ia" or "XP-IS").

VortexMaster FSV430, FSV450

Vortex flowmeter

Electromagnetic compatibility

Electromagnetic compatibility of equipment for process and lab control technology 5/93 and EMC Directive 2004/108/EC (EN 61326-1).

Devices with HART communication are optionally available with EMC protection in accordance with NAMUR NE 21.

EMC / HF effect on the current output¹⁾

Tested per EN 61326.

Output error of less than $\pm 0.025\%$ of the measuring range for twisted pair cables in the range:

- 80 ... 1000 MHz for radiated field strength of 10 V/m;
- 1.4 ... 2.0 GHz for radiated field strength of 3 V/m;
- 2.0 ... 2.7 GHz for radiated field strength of 1 V/m.

Magnetic field disruptions in the current output¹⁾

Tested per EN 61326.

Output error of less than $\pm 0.025\%$ of the measuring range at 30 A/m (eff.).

1) Only for devices with HART communication

Remote mount design

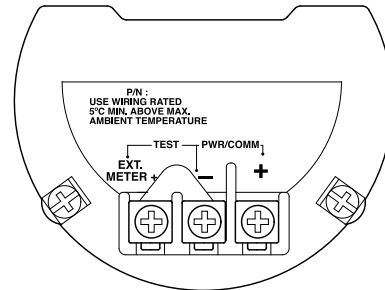
In remote mount design, the sensor and transmitter are connected by a signal cable up to 30 m (98 ft) long.

The signal cable is permanently connected to the transmitter and can be made shorter if required.

Electrical connections

Devices with HART communication

Current output / HART output

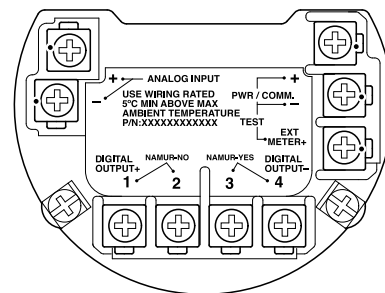


G11766

Fig. 17: Terminals

Terminal	Function / comment
PWR/COMM +	Power supply, current output / HART output
PWR/COMM -	
EXT. METER	Not assigned

Current output / HART output, digital output and analog input

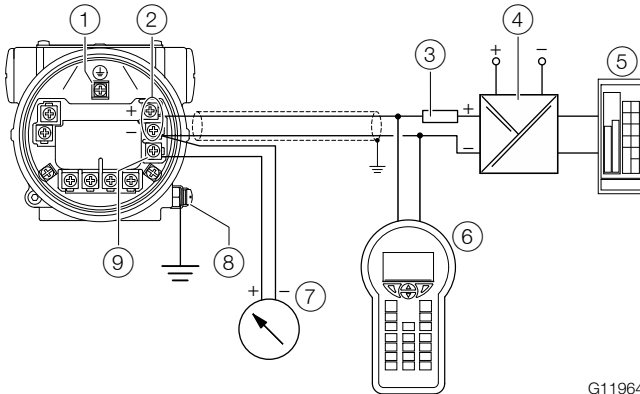


G11767

Fig. 18: Terminals

Terminal	Function / comment
PWR/COMM +	Power supply, current output / HART output
PWR/COMM -	
EXT. METER +	Current output 4 ... 20 mA for external display
DIGITAL OUTPUT 1+	Digital output, positive pole
DIGITAL OUTPUT 2	Bridge after terminal 1+, NAMUR output deactivated
DIGITAL OUTPUT 3	Bridge after terminal 4-, NAMUR output activated
DIGITAL OUTPUT 4-	Digital output, negative pole
ANALOG INPUT +	Analog input 4 ... 20 mA for remote transmitter, e.g. for temperature, pressure, etc.
ANALOG INPUT -	

Connection example HART communication



G11964

Fig. 19: HART communication (example)

- ① Internal earthing terminal
- ② Power supply, current output / HART output
- ③ Load resistance ④ Power supply / supply isolator
- ⑤ PLC / DCS ⑥ HART Handheld terminal ⑦ External indicator
- ⑧ External earthing terminal ⑨ Terminal for external indicator

For connecting the signal voltage / supply voltage, twisted cables with a conductor cross-section of 18 ... 22 AWG / 0.8 ... 0.35 mm² and a maximum length of 1500 m (4921 ft) must be used. For longer leads a greater cable cross section is required.

For shielded cables the cable shielding must only be placed on one side (not on both sides).

For the earthing on the transmitter, the inner terminal with the corresponding marking can also be used.

The output signal (4 ... 20 mA) and the power supply are conducted via the same conductor pair.

The transmitter works with a supply voltage between 12 ... 42 V DC. For devices with the type of protection "Ex ia, intrinsic safety" (FM, CSA, and SAA approval), the supply voltage must not exceed 30 V DC. In some countries the maximum supply voltage is limited to lower values. The permissible supply voltage is specified on the name plate on the top of the transmitter.

The possible lead length depends on the total capacity and the total resistance and can be estimated based on the following formula.

$$L = \frac{65 \times 10^6}{R \times C} - \frac{C_i + 10000}{C}$$

L Lead length in meters

R Total resistance in Ω

C Lead capacity

C_i Maximum internal capacity in pF of the HART field devices in the circuit

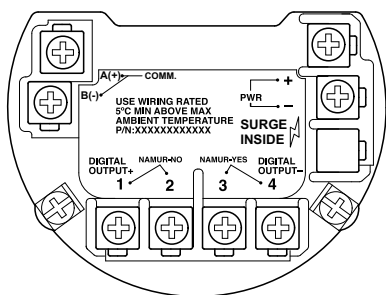
Avoid installing the cable together with other power leads (with inductive load, etc.), as well as the vicinity to large electrical installations.

The HART handheld terminal can be connected to any connection point in the circuit if a resistance of at least 250 Ω is present in the circuit. If there is resistance of less than 250 Ω , an additional resistor must be provided to enable communication. The handheld terminal is connected between the resistor and transmitter, not between the resistor and the power supply.

VortexMaster FSV430, FSV450

Vortex flowmeter

Devices with Modbus communication



G11946

Fig. 20: Terminals

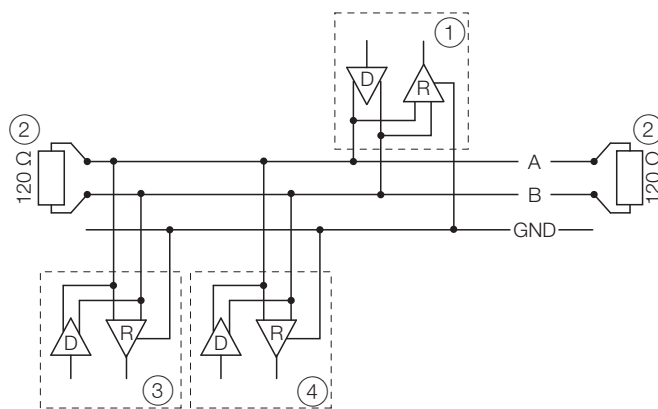
Terminal	Function / comment
PWR +	Power supply
PWR -	
A (+)	Modbus interface RS485
B (-)	
DIGITAL OUTPUT 1+	Digital output, positive pole
DIGITAL OUTPUT 2	Bridge after terminal 1+, NAMUR output deactivated
DIGITAL OUTPUT 3	Bridge after terminal 4-, NAMUR output activated
DIGITAL OUTPUT 4-	Digital output, negative pole

Connection example

Modbus communication

Using the Modbus protocol allows devices made by different manufacturers to exchange information via the same communication bus, without the need for any special interface devices to be used.

Up to 32 devices can be connected on one Modbus line. The Modbus network can be expanded using repeaters.



G11603

Fig. 21: Modbus network (example)

- ① Modbus master
- ② Terminating resistor
- ③ Modbus slave 1
- ④ Modbus slave n ... 32

Modbus interface

Configuration	Via the Modbus interface in connection with Asset Vision Basic (DAT200) and a corresponding Device Type Manager (DTM)
Transmission	Modbus RTU - RS485 serial connection
Baud rate	1200, 2400, 4800, 9600 bps Factory setting: 9600 bps
Parity	None, even, odd Factory setting: none
Typical response time	< 100 milliseconds
Response delay time	0 ... 200 milliseconds Factory setting: 50 milliseconds
Device address	1 ... 247 Factory setting: 247
Register address offset	One base, Zero base Factory setting: One base

Cable specification

The maximum permissible length depends on the baud rate, the cable (diameter, capacity and surge impedance), the number of loads in the device chain, and the network configuration (2-core or 4-core).

- At a baud rate of 9600 and with a conductor cross section of at least 0.14 mm² (AWG 26), the maximum length is 1000 m (3280 ft).
- If a 4-core cable is used in a 2-wire system, the maximum length must be halved.
- The spur lines must be short (maximum of 20 m [66 ft]).
- When using a distributor with "n" connections, the maximum length of each branch is calculated as follows: 40 m (131 ft) divided by "n".

The maximum cable length depends on the type of cable used. The following standard values apply:

- Up to 6 m (20 ft): cable with standard shielding or twisted-pair cable.
- Up to 300 m (984 ft): double twisted-pair cable with overall foil shielding and integrated earth cable.
- Up to 1200 m (3937 ft): double twisted-pair cable with individual foil shielding and integrated earth cables.
Example: Belden 9729 or equivalent cable.

A category 5 cable can be used for Modbus RS485 up to a maximum length of 600 m (1968 ft). For the symmetrical pairs in RS485 systems, a surge impedance of more than 100 Ω is preferred, especially at a baud rate of 19,200 and above.

Electrical data for inputs and outputs

Power supply

Devices with HART communication	
Terminals	PWR/COMM + / PWR/COMM –
Supply voltage	12 ... 42 V DC
Residual ripple	Maximum 5 % or $U_{ss} = \pm 1.5$ V
Power consumption	< 1 W

Devices with Modbus communication	
Terminals	PWR + / PWR –
Supply voltage	9 ... 30 V DC
Residual ripple	Maximum 5 % or $U_{ss} = \pm 1.5$ V
Power consumption	< 1 W

U_{ss} Peak-to-peak value of voltage

Current output / HART output

Only for devices with HART communication.

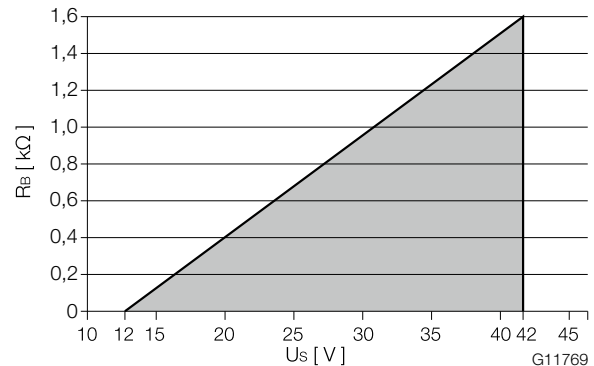


Fig. 22: Load diagram of current output; load depending on supply voltage

Terminals: PWR/COMM + / PWR/COMM –

In HART communication, the smallest load is $R_B = 250 \Omega$. The load R_B is calculated as a function of the available supply voltage U_S and the selected signal current I_B as follows:

$$R_B = U_B / I$$

R_B Load resistance

U_S Supply voltage

I_B Signalstrom

VortexMaster FSV430, FSV450

Vortex flowmeter

Low flow cut-off

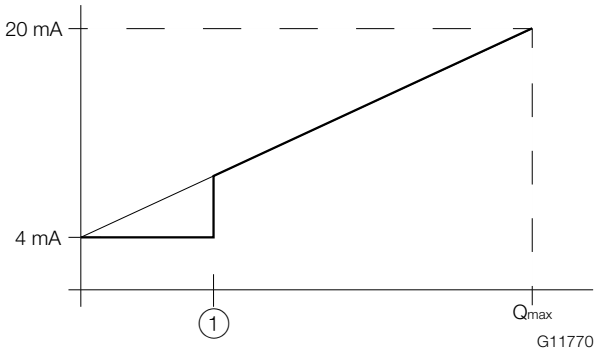


Fig. 23: Behavior of the current output

① Low flow

The current output behaves as shown in the figure. Above the low flow, the current curve proceeds as a straight line in accordance with the flow rate.

- Flow rate = 0, current output = 4 mA
- Flow rate = Q_{max} , current output = 20 mA

If the low flow cut-off is activated, flow rates below the low flow are set to 0 and the current output set to 4 mA.

Analog input 4 ... 20 mA

Only for devices with HART communication.

A remote transmitter with current output 4 ... 20 mA can be connected to the analog input:

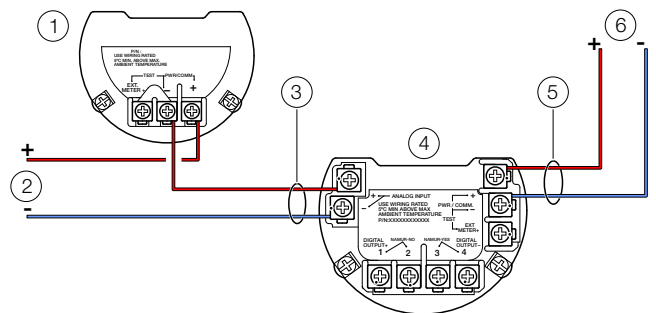
- Pressure transmitter e.g. ABB model 261 / 266
- Temperature transmitter
- Gas analyzer for the net methane content of biogas
- Density meter or mass meter for a density signal

The analog input can be configured using the relevant software:

- Input for the pressure measurement for pressure compensation for the flow measurement of gases and vapor.
- Input for the return temperature measurement for energy measurement.
- Input for the net methane content of biogas.
- Input for the density measurement for calculation of the mass flow.

Analog input 4 ... 20 mA

Terminals	ANALOG INPUT+ / ANALOG INPUT-
Operating voltage	16 ... 30 V DC
Input current	3.8 ... 20.5 mA
Equivalent resistance	90 Ω



G11772

Fig. 24: Connection of transmitters at the analog input (example)

- ① Remote transmitter
- ② Power supply for the remote transmitter
- ③ Cable entry for the analog input
- ④ VortexMaster FSV430, FSV450
- ⑤ Cable entry for the current output
- ⑥ Power supply VortexMaster FSV430, FSV450

HART communication with remote transmitter

Only for devices with HART communication.

As the device has a two-wire technology design, an external pressure or temperature transmitter with HART communication (e.g. ABB pressure transmitter model 261 / 266) can be connected via the current / HART output (4 ... 20 mA).

The remote transmitter must be operated in HART burst mode.

The VortexMaster FSV430, FSV450 transmitter supports HART communication up to the HART7 protocol.

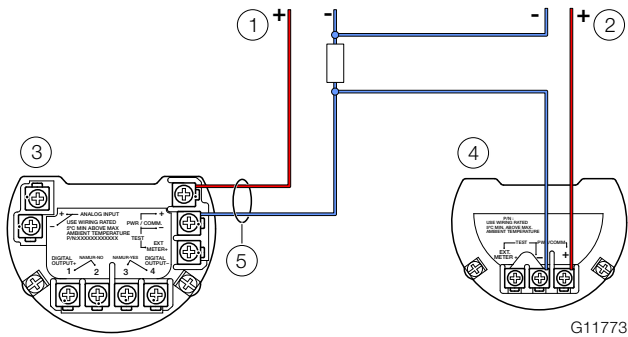


Fig. 25: Connection of transmitters with HART communication (example)

- ① Power supply VortexMaster FSV430, FSV450
- ② Power supply for the remote transmitter
- ③ VortexMaster FSV430, FSV450
- ④ Remote transmitter ⑤ Cable entry for the current output

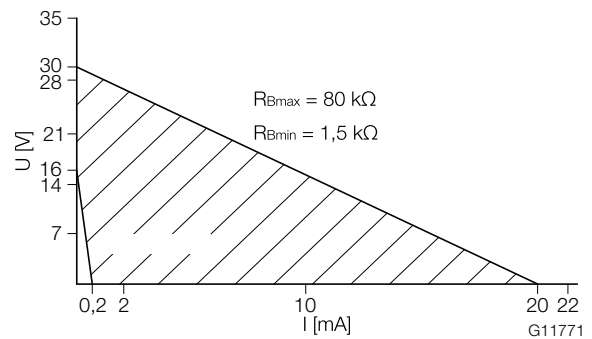
Digital output

For devices with HART communication or Modbus communication.

The digital output can be configured using the relevant software:

- Frequency output
- Pulse output
- Binary output (in / out, e.g. alarm signal)

Digital output	
Operating voltage	16 ... 30 V DC
Output current	Maximum 20 mA
Output "closed"	$0 \text{ V} \leq U_{\text{low}} \leq 2 \text{ V}$ $2 \text{ mA} \leq I_{\text{low}} \leq 20 \text{ mA}$
Output "open"	$16 \text{ V} \leq U_{\text{high}} \leq 30 \text{ V}$ $0 \text{ mA} \leq I_{\text{high}} \leq 0.2 \text{ mA}$
Pulse output	$f_{\text{max}}: 10 \text{ kHz}$ Pulse width: 0.05 ... 2000 ms
Frequency output	$f_{\text{max}}: 10.5 \text{ kHz}$



26Fig. : Range of the external supply voltage and current

The external resistance R_B is in the range of $1.5 \text{ k}\Omega \leq R_B \leq 80 \text{ k}\Omega$, as shown in 26Fig. .

VortexMaster FSV430, FSV450

Vortex flowmeter

Use in potentially explosive atmospheres

Overview

The following tables provide an overview of the approvals available for explosion protection.

Type of protection "intrinsic safety" (Ex ia / IS)

Approval	Order code
ATEX (Europe)	A4
IECEX	N2
NEPSI (China)	S6
FM (USA and Canada)	F4

Type of protection "flameproof enclosure" (Ex d ia / XP-IS)

Approval	Order code
ATEX (Europe)	A9
IECEX	N3
NEPSI (China)	S1
FM (USA and Canada)	F1

Type of protection "non-sparking" (Ex n / NA)

Approval	Order code
ATEX (Europe)	B1
IECEX	N1
NEPSI (China)	S2
FM (USA and Canada)	F3

Combined approvals

In the case of combined approvals, the user decides on the type of protection during installation.

Type of protection	Order code
ATEX Ex n + Ex ia	B8 = B1 + A4
ATEX Ex n + Ex ia + Ex d	B9 = B1 + A4 + A9
IEC Ex Ex n + Ex ia	N8 = N1 + N2
IEC Ex Ex n + Ex ia + Ex d	N9 = N1 + N2 + N3
NEPSI Ex n + Ex ia	S8 = S2 + S6
NEPSI Ex n + Ex ia + Ex d	S9 = S2 + S1 + S6
cFMus NA + IS	F8 = F3 + F4
cFMus NA + IS + XP-IS	F9 = F3 + F4 + F1

Cable glands

NOTE

Devices with a 1/2" NPT thread are supplied without cable glands.

The devices are supplied with cable glands certified according to ATEX or IECEX.

The cable glands supplied are approved for use in Zone 1.

Please observe the following points:

- The use of standard cable glands and seals is prohibited.
- The black plugs in the cable glands are intended to provide protection during transport. Any unused cable entries must be sealed prior to commissioning, using the seals supplied.
- The outside diameter of the connection cable must measure between 6 mm (0.24 inch) and 12 mm (0.47 inch) to ensure the necessary seal integrity.

Use of the devices in Zone 0

If the devices are used in Zone 0, the cable glands supplied must be replaced with cable glands approved for use in Zone 0.

Temperature resistance for the connecting cables

The temperature at the cable entries of the device is dependent on the measuring medium temperature T_{medium} and the ambient temperature T_{amb} .

For electrical connection of the device, cables suitable for temperatures up to 110 °C (230 °F) can be used without restriction.

Use in category 2 / 3G

For cables suitable only for temperatures up to 80 °C (176 °F), the connection of both circuits must be checked in the event of a fault. Otherwise, the restricted temperature ranges listed in the following table shall apply.

Use in category 2D

For cables suitable only for temperatures up to 80 °C (176 °F), the restricted temperature ranges listed in the following table shall apply.

$T_{\text{amb}}^{1)}$	T_{medium} maximum	Maximum cable temperature
-40 ... 82 °C (-40 ... 180 °F) ²⁾	180 °C (356 °F)	110 °C (230 °F)
-40 ... 40 °C (-40 ... 104 °F) ²⁾	272 °C (522 °F)	80 °C (176 °F)
-40 ... 40 °C (-40 ... 104 °F)	400 °C (752 °F)	
-40 ... 67 °C (-40 ... 153 °F)	180 °C (356 °F)	

1) The permissible limits for the ambient temperature are dependent on approval and design (default: -20 °C [-4 °F])

2) Category 2D (dust-ignition proof), maximum 60 °C (140 °F)

Electrical connections

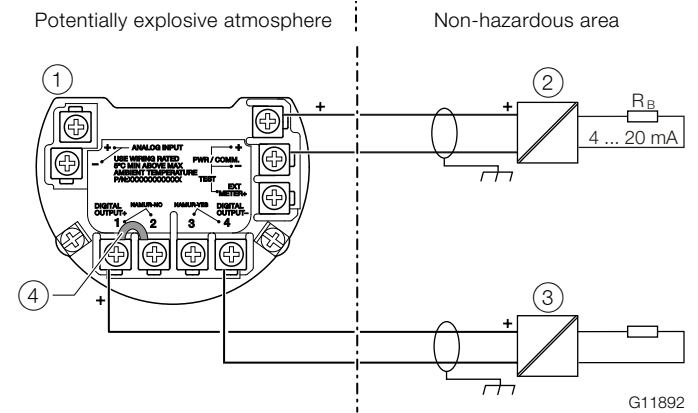


Fig. 27: Electrical connection (example)

- ① VortexMaster FSV430, FSV450
 ② Supply isolator ③ Switching amplifier ④ Bridge

Output configuration	Bridge
Optoelectronic coupler output	1–2
NAMUR output	3–4

Terminal	Function
PWR/COMM + /	Power supply / current output / HART output
PWR/COMM -	
DIGITAL OUTPUT+ /	Digital output as optoelectronic coupler or NAMUR output
DIGITAL OUTPUT-	

In the factory setting, the output is configured as an optoelectronic coupler output.

If the digital output is configured as a NAMUR output, a suitable NAMUR switching amplifier must be connected.

VortexMaster FSV430, FSV450

Vortex flowmeter

Zone 2, 22 - type of protection "non-sparking"

Ex-marking

ATEX	
Order code	B1, B8, B9
Type examination certificate	FM13ATEX0056X
II 3G Ex nA IIC T4 to T6 Gc	
II 3 D Ex tc IIIC T85 °C DC	
For electrical parameters, see certificate FM13ATEX0056X	

IECEX

Order code	N1, N8, N9
Certificate of conformity	IECEX FME 13.0004X
Ex nA IIC T4 to T6 Gc	
Ex tc IIIC T85 °C DC	
For electrical parameters, see certification IECEX FME 13.0004X	

FM approval for USA and Canada

Order code	F3, F8, F9
CL I, ZONE 2 AEx/Ex nA IIC T6, T5, T4	
CL I/DIV 2/GP ABCD	
NI CL 1/DIV 2/GP ABCD, DIP CL II,III/DIV 2/GP EFG	
Housing: TYPE 4X	

NEPSI

Order code	S2, S8, S9
Ex nA IIC T4 to T6 Gc	
DIP A22 Ta 85 °C	
For electrical parameters, see certificate GYJ14.1088X	

Power supply

Ex nA: $U_B = 12 \dots 42$ V DC

Digital output

The digital output is designed as an optoelectronic coupler or NAMUR contact (in accordance with DIN 19234).

- When the NAMUR contact is closed, the internal resistance is approx. 1000 Ω.
- When the contact is open, the internal resistance is > 10 kΩ.

The digital output can be changed over to "optoelectronic coupler" if required.

- NAMUR with switching amplifier
- Digital output Ex nA: $U_B = 16 \dots 30$ V, $I_B = 2 \dots 30$ mA

Electrical data

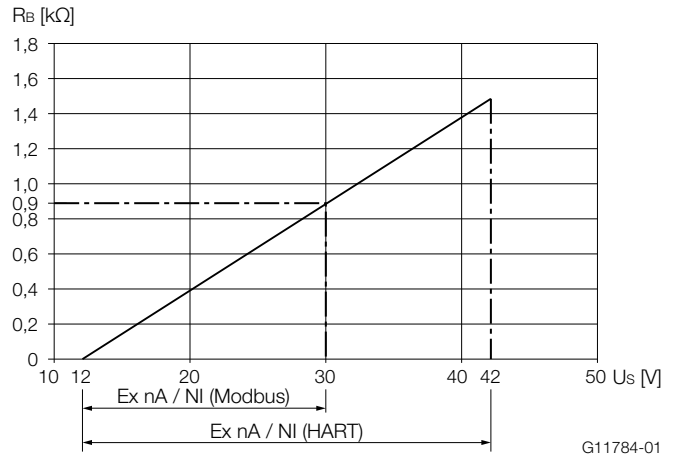


Fig. 28: Power supply in Zone 2, explosion protection, non-sparking

The minimum voltage U_S of 12 V is based on a load of 0 Ω.

U_S Supply voltage

R_B Maximum permissible load in the power supply circuit, e.g. indicator, recorder or power resistor.

Power supply / current output / HART output / Modbus

HART terminals	PWR/COMM + / PWR/COMM -
Modbus terminals	A (+), B (-) / PWR +, PWR -
U_M	HART: 45 V, Modbus: 30 V

Zone 2: Ex nA IIC T4 to T6 Gc

$T_{amb} = -40 \dots xx$ °C¹⁾

Zone 22: Ex tc IIIC T85 °C Dc

$T_{amb} = -40 \dots 75$ °C

CL I, ZONE 2 AEx/Ex nA IIC T6, T5, T4

CL I/DIV 2/GP ABCD TYPE 4X

NI CL 1/DIV 2/GP ABCD, DIP CL II,III/DIV 2/GP EFG

Housing: TYPE 4X

1) The temperature xx °C depends on the temperature class T_{class}

Digital output	
Terminals	DIGITAL OUTPUT 1+ / DIGITAL OUTPUT 4-
U_M	45 V
Zone 2: Ex nA IIC T4 to T6 Gc	
Zone 22: Ex tc IIIC T85 °C Dc	
$T_{amb} = -40 \dots 75 \text{ °C}^{1)}$	
CL I, ZONE 2 AEx/Ex nA IIC T6, T5, T4	
CL I/DIV 2/GP ABCD TYPE 4X	
NI CL 1/DIV 2/GP ABCD, DIP CL II,III/DIV 2/GP EFG	

1) See temperature ranges in the chapter titled "Temperature data" on page 27.

Analog input	
Terminals	ANALOG INPUT + / ANALOG INPUT -
U_M	45 V
Zone 2: Ex nA IIC T4 to T6 Gc	
Zone 22: Ex tc IIIC T85 °C Dc	
$T_{amb} = -40 \dots 75 \text{ °C}$	
CL I, ZONE 2 AEx/Ex nA IIC T6, T5, T4	
CL I/DIV 2/GP ABCD TYPE 4X	
NI CL 1/DIV 2/GP ABCD, DIP CL II,III/DIV 2/GP EFG	

Special Requirements

The devices must be installed in a protected environment in accordance with the specific conditions on the test certificate. Pollution degree 3 (in accordance with IEC 60664-1) must not be exceeded for the macro environment of the device. The devices are in accordance with IP rating IP 66 / IP 67. If the device is installed properly, this requirement is met by the housing as standard.

When connected to the power supply / not connected to the power supply, the electrical circuits must not exceed overvoltage category III / II.

Temperature data

Operating temperature ranges:

- The ambient temperature range T_{amb} is $-40 \dots 85 \text{ °C}$ ($-40 \dots 185 \text{ °F}$). This is dependent on the temperature class and measuring medium temperature, as listed in the following tables.
- The measuring medium temperature T_{medium} is $-200 \dots 400 \text{ °C}$ ($-328 \dots 752 \text{ °F}$).

Devices without LCD indicator and with HART communication

Temperature class	$T_{amb. \text{ max.}}$	$T_{medium \text{ max.}}$
T4	$\leq 85 \text{ °C}$	90 °C
	$\leq 82 \text{ °C}$	180 °C
	$\leq 81 \text{ °C}$	280 °C
	$\leq 79 \text{ °C}$	400 °C
T4	$\leq 70 \text{ °C}$	90 °C
	$\leq 67 \text{ °C}$	180 °C
	$\leq 66 \text{ °C}$	280 °C
	$\leq 64 \text{ °C}$	400 °C
T5	$\leq 56 \text{ °C}$	90 °C
	$\leq 53 \text{ °C}$	180 °C
	$\leq 52 \text{ °C}$	280 °C
	$\leq 50 \text{ °C}$	400 °C
T6	$\leq 44 \text{ °C}$	90 °C
	$\leq 41 \text{ °C}$	180 °C
	$\leq 40 \text{ °C}$	280 °C
	$\leq 38 \text{ °C}$	400 °C

VortexMaster FSV430, FSV450

Vortex flowmeter

Devices without LCD indicator and with Modbus communication

Temperature class	T _{amb. max.}	T _{medium max.}
T4	≤ 85 °C	90 °C
	≤ 82 °C	180 °C
	≤ 81 °C	280 °C
	≤ 79 °C	400 °C
T4	≤ 70 °C	90 °C
	≤ 67 °C	180 °C
	≤ 66 °C	280 °C
	≤ 64 °C	400 °C
T5	≤ 40 °C	90 °C
	≤ 37 °C	180 °C
	≤ 36 °C	280 °C
	≤ 34 °C	400 °C
T6	≤ 40 °C	90 °C
	≤ 37 °C	180 °C
	≤ 36 °C	280 °C
	≤ 34 °C	400 °C

Devices with LCD indicator, order code L1

Temperature class	T _{amb. max.}	T _{medium max.}
T4	≤ 85 °C	90 °C
	≤ 82 °C	180 °C
	≤ 81 °C	280 °C
	≤ 79 °C	400 °C
T4	≤ 70 °C	90 °C
	≤ 67 °C	180 °C
	≤ 66 °C	280 °C
	≤ 64 °C	400 °C
T5	≤ 40 °C	90 °C
	≤ 37 °C	180 °C
	≤ 36 °C	280 °C
	≤ 34 °C	400 °C
T6	≤ 40 °C	90 °C
	≤ 37 °C	180 °C
	≤ 36 °C	280 °C
	≤ 34 °C	400 °C

Devices with LCD indicator and HART communication, order code L2 (operation through the front glass)

Temperature class	T _{amb. max.}	T _{medium max.}
T4	≤ 60 °C	90 °C
	≤ 57 °C	180 °C
	≤ 56 °C	280 °C
	≤ 54 °C	400 °C
	≤ 54 °C	400 °C
T4	≤ 60 °C	90 °C
	≤ 57 °C	180 °C
	≤ 56 °C	280 °C
	≤ 54 °C	400 °C
	≤ 54 °C	400 °C
T5	≤ 56 °C	90 °C
	≤ 53 °C	180 °C
	≤ 52 °C	280 °C
	≤ 50 °C	400 °C
	≤ 50 °C	400 °C
T6	≤ 44 °C	90 °C
	≤ 41 °C	180 °C
	≤ 40 °C	280 °C
	≤ 38 °C	400 °C
	≤ 38 °C	400 °C

Devices with LCD indicator and Modbus communication, order code L2 (operation through the front glass)

Temperaturklasse	T _{amb. max.}	T _{medium max.}
T4	≤ 60 °C	90 °C
	≤ 57 °C	180 °C
	≤ 56 °C	280 °C
	≤ 54 °C	400 °C
	≤ 54 °C	400 °C
T4	≤ 60 °C	90 °C
	≤ 57 °C	180 °C
	≤ 56 °C	280 °C
	≤ 54 °C	400 °C
	≤ 54 °C	400 °C
T5	≤ 40 °C	90 °C
	≤ 37 °C	180 °C
	≤ 36 °C	280 °C
	≤ 34 °C	400 °C
	≤ 34 °C	400 °C
T6	≤ 40 °C	90 °C
	≤ 37 °C	180 °C
	≤ 36 °C	280 °C
	≤ 34 °C	400 °C
	≤ 34 °C	400 °C

Zone 0, 1, 20, 21 - type of protection "intrinsically safe"

Only for devices with HART communication!

Ex-marking

ATEX	
Order code	A4, B8, B9
Type examination certificate	FM13ATEX0055X
II 1 G Ex ia IIC T4 to T6 Ga	
II 1 D Ex ia IIIC T85 °C	
For electrical parameters, see certificate FM13ATEX0055X	

IECEX	
Order code	N2, N8, N9
Certificate of conformity	IECEX FME 13.0004X
Ex ia IIC T4 to T6 Ga	
Ex ia IIIC T85 °C	
For electrical parameters, see certificate IECEX FME 13.0004X	

FM approval for USA and Canada	
Order code	F4, F8, F9
IS/S. Intrinsic(ity) CL I,	
Zone 0 AEx/Ex ia IIC T6, T5, T4	
CI I/Div 1/ABCD IS-CL II, III/DIV 1/EFG TYPE 4X	
IS Control Drawing: 3KXF065215U0109	

NEPSI	
Order code	S6, S8, S9
Ex ia IIC T4 to T6 Ga	
Ex iaD 20 T85 °C	
For electrical parameters, see certificate GYJ14.1088X	

Power supply

Ex ia: $U_i = 30 \text{ V DC}$

Digital output

The digital output is designed as an optoelectronic coupler or NAMUR contact (in accordance with DIN 19234).

- When the NAMUR contact is closed, the internal resistance is approx. 1000 Ω .
- When the NAMUR contact is open, the internal resistance is $> 10 \text{ k}\Omega$.

The digital output can be changed over to "optoelectronic coupler" if required.

- NAMUR with switching amplifier
- Digital output: Ex ia: $U_i = 30 \text{ V DC}$

Electrical and temperature data

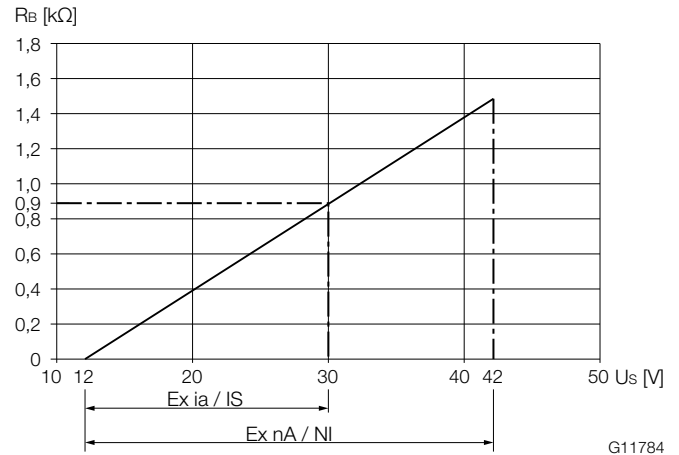


Fig. 29: Power supply in Zone 0,1, 2, explosion protection "intrinsic safety / Intrinsically safe"

The minimum voltage U_S of 12 V is based on a load of 0 Ω .

U_S Supply voltage

R_B Maximum permissible load in the power supply circuit, e.g. indicator, recorder or power resistor.

Power supply / current output / HART output	
Terminals	PWR/COMM + / PWR/COMM -
Zone 0: Ex ia IIC T4 to T6 Ga	
$T_{amb} = -40 \dots 85 \text{ °C}^{1)}$	
U_{max}	30 V
I_{max}	See the chapter titled "Limit value tables" on page
P_i	31
C_i	— 13 nF for indicator option L1 — 17 nF for all other options
L_i	10 μH
Zone 20: Ex ia IIIC T85 °C	
$T_{amb} = -40 \dots 85 \text{ °C}^{1)}$	
IS/S. Intrinsic(ity) CL I,	
Zone 0 AEx/Ex ia IIC T6, T5, T4	
CI I/Div 1/ABCD IS-CL II, III/DIV 1/EFG TYPE 4X	
IS Control Drawing: 3KXF065215U0109	

1) See temperature ranges in the chapter titled "Limit value tables" on page 31.

VortexMaster FSV430, FSV450

Vortex flowmeter

Digital output	
Terminals	DIGITAL OUTPUT 1+ / DIGITAL OUTPUT 4-
Zone 0: Ex ia IIC T4 to T6 Ga	
U_{max}	30 V
I_{max}	30 mA
C_i	7 nF
L_i	0 mH
Zone 20: Ex ia IIIC T85 °C	
$T_{amb} = -40 \dots 85 \text{ °C}^1)$	
IS/S. Intrinsic (Entity) CL I, Zone 0 AEx/Ex ia IIC T6, T5, T4 CI I/Div 1/ABCD IS-CL II, III/DIV 1/EFG TYPE 4X IS Control Drawing: 3KXF065215U0109	

Analog input	
Terminals	ANALOG INPUT + / ANALOG INPUT -
Zone 0: Ex ia IIC T4 to T6 Ga	
U_{max}	See the chapter titled "Limit value tables" on page
I_{max}	31
C_i	7 nF
L_i	0 mH
Zone 20: Ex ia IIIC T85 °C	
$T_{amb} = -40 \dots 85 \text{ °C}^1)$	
IS/S. Intrinsic (Entity) CL I, Zone 0 AEx/Ex ia IIC T6, T5, T4 CI I/Div 1/ABCD IS-CL II, III/DIV 1/EFG TYPE 4X IS Control Drawing: 3KXF065215U0109	

1) See temperature ranges in the chapter titled "Limit value tables" on page 31.

Special Requirements

The devices must be installed in a protected environment in accordance with the specific conditions on the test certificate. Pollution degree 3 (in accordance with IEC 60664-1) must not be exceeded for the macro environment of the device.

The devices are in accordance with IP rating IP 66 / IP 67. If the device is installed properly, this requirement is met by the housing as standard.

When connected to the power supply / not connected to the power supply, the electrical circuits must not exceed overvoltage category III / II.

For input limits or analog input limits, see the chapter titled "Limit value tables" on page 31.

Limit value tables

Operating temperature ranges:

- The ambient temperature range T_{amb} of the devices is -40 ... 85 °C.
- The measuring medium temperature range T_{medium} is -200 ... 400 °C.

Devices without LCD indicator

Power supply, current / HART output, analog input					
Temperature class	T_{amb} max.	T_{medium} max.	U_{max}	I_{max}	P_I max
T4	≤ 85 °C	90 °C	30 V	100 mA	0.75 W
	≤ 82 °C	180 °C			
	≤ 81 °C	280 °C			
	≤ 79 °C	400 °C			
T4	≤ 70 °C	90 °C	30 V	160 mA	1.0 W
	≤ 67 °C	180 °C			
	≤ 66 °C	280 °C			
	≤ 64 °C	400 °C			
T5	≤ 56 °C	90 °C	30 V	100 mA	1.4 W
	≤ 53 °C	180 °C			
	≤ 52 °C	280 °C			
	≤ 50 °C	400 °C			
T6	≤ 44 °C	90 °C	30 V	50 mA	0.4 W
	≤ 41 °C	180 °C			
	≤ 40 °C	280 °C			
	≤ 38 °C	400 °C			

Digital output					
Temperature class	T_{amb} max.	T_{medium} max.	U_{max}	I_{max}	P_I max
T4	≤ 85 °C	90 °C	30 V	30 mA	1.0 W
	≤ 82 °C	180 °C			
	≤ 81 °C	280 °C			
	≤ 79 °C	400 °C			
T4	≤ 70 °C	90 °C	30 V	30 mA	1.0 W
	≤ 67 °C	180 °C			
	≤ 66 °C	280 °C			
	≤ 64 °C	400 °C			
T5	≤ 56 °C	90 °C	30 V	30 mA	1.0 W
	≤ 53 °C	180 °C			
	≤ 52 °C	280 °C			
	≤ 50 °C	400 °C			
T6	≤ 44 °C	90 °C	30 V	30 mA	1.0 W
	≤ 41 °C	180 °C			
	≤ 40 °C	280 °C			
	≤ 38 °C	400 °C			

VortexMaster FSV430, FSV450

Vortex flowmeter

Devices with LCD indicator, order code L1

Power supply, current / HART output, analog input					
Temperature class	T_{amb} max.	T_{medium} max.	U_{max}	I_{max}	P_i max
T4	≤ 85 °C	90 °C	30 V	100 mA	0.75 W
	≤ 82 °C	180 °C			
	≤ 81 °C	280 °C			
	≤ 79 °C	400 °C			
T4	≤ 70 °C	90 °C	30 V	160 mA	1.0 W
	≤ 67 °C	180 °C			
	≤ 66 °C	280 °C			
	≤ 64 °C	400 °C			
T5	≤ 40 °C	90 °C	30 V	100 mA	1.4 W
	≤ 37 °C	180 °C			
	≤ 36 °C	280 °C			
	≤ 34 °C	400 °C			
T6	≤ 40 °C	90 °C	30 V	50 mA	0.4 W
	≤ 37 °C	180 °C			
	≤ 36 °C	280 °C			
	≤ 34 °C	400 °C			

Digital output					
Temperature class	T_{amb} max.	T_{medium} max.	U_{max}	I_{max}	P_i max
T4	≤ 85 °C	90 °C	30 V	30 mA	1.0 W
	≤ 82 °C	180 °C			
	≤ 81 °C	280 °C			
	≤ 79 °C	400 °C			
T4	≤ 70 °C	90 °C	30 V	30 mA	1.0 W
	≤ 67 °C	180 °C			
	≤ 66 °C	280 °C			
	≤ 64 °C	400 °C			
T5	≤ 40 °C	90 °C	30 V	30 mA	1.0 W
	≤ 37 °C	180 °C			
	≤ 36 °C	280 °C			
	≤ 34 °C	400 °C			
T6	≤ 40 °C	90 °C	30 V	30 mA	1.0 W
	≤ 37 °C	180 °C			
	≤ 36 °C	280 °C			
	≤ 34 °C	400 °C			

Devices with LCD indicator, order code L2 (operation through the front glass)

Power supply, current / HART output, analog input					
Temperature class	T_{amb} max.	T_{medium} max.	U_{max}	I_{max}	P_i max
T4	≤ 60 °C	90 °C	30 V	100 mA	0.75 W
	≤ 57 °C	180 °C			
	≤ 56 °C	280 °C			
	≤ 54 °C	400 °C			
T4	≤ 60 °C	90 °C	30 V	160 mA	1.0 W
	≤ 57 °C	180 °C			
	≤ 56 °C	280 °C			
	≤ 54 °C	400 °C			
T5	≤ 56 °C	90 °C	30 V	100 mA	1.4 W
	≤ 53 °C	180 °C			
	≤ 52 °C	280 °C			
	≤ 50 °C	400 °C			
T6	≤ 44 °C	90 °C	30 V	50 mA	0.4 W
	≤ 41 °C	180 °C			
	≤ 40 °C	280 °C			
	≤ 38 °C	400 °C			

Digital output					
Temperature class	T_{amb} max.	T_{medium} max.	U_{max}	I_{max}	P_i max
T4	≤ 60 °C	90 °C	30 V	30 mA	1.0 W
	≤ 57 °C	180 °C			
	≤ 56 °C	280 °C			
	≤ 54 °C	400 °C			
T4	≤ 60 °C	90 °C	30 V	30 mA	1.0 W
	≤ 57 °C	180 °C			
	≤ 56 °C	280 °C			
	≤ 54 °C	400 °C			
T5	≤ 56 °C	90 °C	30 V	30 mA	1.0 W
	≤ 53 °C	180 °C			
	≤ 52 °C	280 °C			
	≤ 50 °C	400 °C			
T6	≤ 44 °C	90 °C	30 V	30 mA	1.0 W
	≤ 41 °C	180 °C			
	≤ 40 °C	280 °C			
	≤ 38 °C	400 °C			

VortexMaster FSV430, FSV450

Vortex flowmeter

Zone 1, 21 - type of protection "flameproof (enclosure)"

Ex-marking

ATEX	
Order code	A9, B9
Type examination certificate	FM13ATEX0057X
II 2 G Ex d ia IIC T6 Gb/Ga – II 2 D Ex tb IIIC T85 °C Db (-40 °C < Ta < +75 °C) supply voltage 42 V DC, Um: 45 V	

IECEX	
Order code	N3, N9
Certificate of conformity	IECEX FME 13.0004X
Ex d ia IIC T6 Gb/Ga-Ex tb IIIC T85 °C Db (-40 °C < Ta < +75 °C) supply voltage 42 V DC, Um = 45 V	

FM approval for USA and Canada	
Order code	F1, F9
XP-IS (US) CL I/DIV I/GP BCD, DIP CL II, III/DIV I/GP EFG XP-IS (Canada) CL I/DIV I/GP BCD, DIP CL II, III/DIV I/GP EFG CL I, ZONE 1, AEx/Ex d ia IIC T6 -40 °C < Ta < +75 °C TYPE 4X Tamb = 75 °C "Dual seal device"	

NEPSI	
Order code	S1, S9
Ex d ia IIC T6 Gb / Ga DIP A21 Ta 85 °C For electrical parameters, see certificate GYJ14.1088X	

Power supply

Ex d ia Gb/Ga: $U_B = 12 \dots 42$ V DC

Digital output

The digital output is designed as an optoelectronic coupler or NAMUR contact (in accordance with DIN 19234).

- When the NAMUR contact is closed, the internal resistance is approx. 1000 Ω .
- When the NAMUR contact is open, the internal resistance is > 10 k Ω .

The digital output can be changed over to "optoelectronic coupler" if required.

- NAMUR with switching amplifier
- Digital output: Ex d ia: $U_m = 45$ V

IMPORTANT

The power supply and the digital output must be either only intrinsically safe **or** only non-intrinsically safe. A combination of the two is not permitted.

Intrinsically safe circuits must have potential equalization in place along the entire length of the cable of the circuit.

Electrical and temperature data

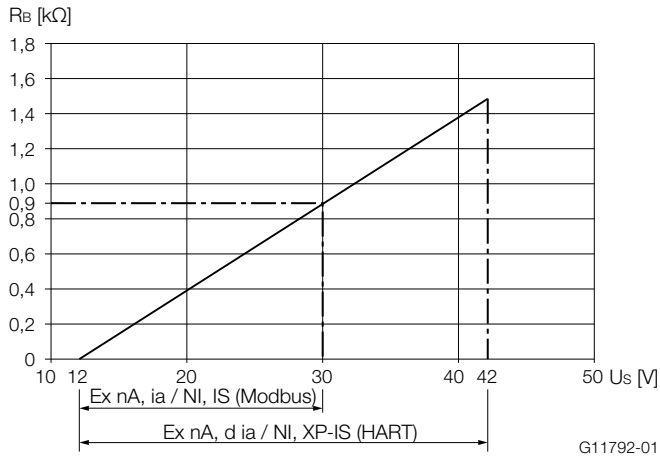


Fig. 30: Power supply in Zone 1, explosion protection

The minimum voltage U_S of 12 V is based on a load of 0 Ω .

U_S Supply voltage

R_B Maximum permissible load in the power supply circuit, e.g. indicator, recorder or power resistor.

Power supply / current output / HART output / Modbus

HART terminals	PWR/COMM + / PWR/COMM -
Modbus terminals	A (+), B (-) / PWR +, PWR -
U_M	HART: 45 V, Modbus: 30 V
Zone 1: Ex d ia IIC T6 Gb/Ga	
$T_{amb} = -40 \dots 75 \text{ }^\circ\text{C}$	
Zone 21 Ex tb IIIC T85 $^\circ\text{C}$ Db	
$T_{amb} = -40 \dots 75 \text{ }^\circ\text{C}$	
XP-IS (US) CL I/DIV I/GP BCD, DIP CL II, III/DIV I/ GP EFG	
XP-IS (Kanada) CL I/DIV I/GP BCD, DIP CL II, III/ DIV I/GP EFG	
CL I, ZONE 1, AEx/Ex d ia IIC T6 -40 $^\circ\text{C}$ < T_a < +75 $^\circ\text{C}$	
TYPE 4X $T_{amb} = 75 \text{ }^\circ\text{C}$ „Dual seal device“	

Digital output

Terminals	DIGITAL OUTPUT 1+ / DIGITAL OUTPUT 4-
U_M	45 V
Zone 1: Ex d ia IIC T6 Gb/Ga	
$T_{amb} = -40 \dots 75 \text{ }^\circ\text{C}$	
Zone 21 Ex tb IIIC T85 $^\circ\text{C}$ Db	
$T_{amb} = -40 \dots 75 \text{ }^\circ\text{C}$	
XP-IS (US) CL I/DIV I/GP BCD, DIP CL II, III/DIV I/ GP EFG	
XP-IS (Kanada) CL I/DIV I/GP BCD, DIP CL II, III/ DIV I/GP EFG	
CL I, ZONE 1, AEx/Ex d ia IIC T6 -40 $^\circ\text{C}$ < T_a < +75 $^\circ\text{C}$	
TYPE 4X $T_{amb} = 75 \text{ }^\circ\text{C}$ „Dual seal device“	

Analog input

Terminals	ANALOG INPUT + / ANALOG INPUT -
U_M	45 V
Zone 1: Ex d ia IIC T6 Gb/Ga	
$T_{amb} = -40 \dots 75 \text{ }^\circ\text{C}$	
Zone 21 Ex tb IIIC T85 $^\circ\text{C}$ Db	
$T_{amb} = -40 \dots 75 \text{ }^\circ\text{C}$	
XP-IS (US) CL I/DIV I/GP BCD, DIP CL II, III/DIV I/ GP EFG	
XP-IS (Kanada) CL I/DIV I/GP BCD, DIP CL II, III/ DIV I/GP EFG	
CL I, ZONE 1, AEx/Ex d ia IIC T6 -40 $^\circ\text{C}$ < T_a < +75 $^\circ\text{C}$	
TYPE 4X $T_{amb} = 75 \text{ }^\circ\text{C}$ „Dual seal device“	

Special Requirements

The devices must be installed in a protected environment in accordance with the specific conditions on the test certificate. Pollution degree 3 (in accordance with IEC 60664-1) must not be exceeded for the macro environment of the device.

The devices are in accordance with IP rating IP 66 / IP 67. If the device is installed properly, this requirement is met by the housing as standard.

When connected to the power supply / not connected to the power supply, the electrical circuits must not exceed overvoltage category III / II.

VortexMaster FSV430, FSV450

Vortex flowmeter

Ordering Information

Main ordering information VortexMaster FSV430, FSV450

Base model									
VortexMaster FSV430 Vortex Flowmeter	FSV430	XX	XX	XXXXXX	XX	XX	XX	XX	XX
VortexMaster FSV450 Intelligent Vortex Flowmeter	FSV450	XX	XX	XXXXXX	XX	XX	XX	XX	XX
Explosion Protection Certification									
Without		Y0	Continued see next page						
ATEX Ex nA / Ex tc (Zone 2 and 22)		B1							
ATEX Ex ia / Ex ia (Zone 0 and 20)		A4							
ATEX Ex d ia / Ex tb (Zone 0/1 and 21)		A9							
ATEX combined B1 + A4 (Ex n + Ex ia)	8)	B8							
ATEX combined B1 + A4 + A9 (Ex n + Ex ia + Ex d)	8)	B9							
IECEX Ex nA / Ex tc (Zone 2 and 22)		N1							
IECEX Ex ia / Ex ia (Zone 0 and 20)		N2							
IECEX Ex d ia / Ex tb (Zone 0/1 and 21)		N3							
IECEX combined N1 + N2 (Ex n + Ex ia)	8)	N8							
IECEX combined N1 + N2 + N3 (Ex n + Ex ia + Ex d)	8)	N9							
cFMus XP CI I,II,III Div 1 / Zone 1		F1							
cFMus IS CI I,II,III Div 1 / Zone 0		F4							
cFMus NI CI I Div 2, CI II,III Div 1,2 / Zone 2		F3							
cFMus combined F3 + F4 (Ex n + Ex ia)	8)	F8							
cFMus combined F3 + F4 + F1 (Ex n + Ex ia + Ex d)	8)	F9							
NEPSI Ex nA / DIP A22 (Zone 2 and 22)		S2							
NEPSI Ex ia / Ex iaD (Zone 0 and 20)		S6							
NEPSI Ex d ia / DIP A21 (Zone 0/1 and 21)		S1							
NEPSI combined N1 + N2 (Ex n + Ex ia)	8)	S8							
NEPSI combined N1 + N2 + N3 (Ex n + Ex ia + Ex d)	8)	S9							
System Design									
Integral single sensor		C1							
Remote single sensor, 5 m (16 ft) signal cable included		R1							
Integral dual sensor		C2							
Remote dual sensor, 2 x 5 m (16 ft) signal cable included		R2							

Base model

VortexMaster FSV430 Vortex Flowmeter	XXXXXX	XX
VortexMaster FSV450 Intelligent Vortex Flowmeter	XXXXXX	XX

Process Connection Type / Meter Size / Connection Size

Wafer / DN 25 (1 in.) / DN 25 (1 in.)	W025R0
Wafer / DN 40 (1-1/2 in.) / DN 40 (1-1/2 in.)	W040R0
Wafer / DN 50 (2 in.) / DN 50 (2 in.)	W050R0
Wafer / DN 80 (3 in.) / DN 80 (3 in.)	W080R0
Wafer / DN 100 (4 in.) / DN 100 (4 in.)	W100R0
Wafer / DN 150 (6 in.) / DN 150 (6 in.)	W150R0
Flange / DN 15 (1/2 in.) / DN 15 (1/2 in.)	F015R0
Flange / DN 25 (1 in.) / DN 25 (1 in.)	F025R0
Flange / DN 40 (1-1/2 in.) / DN 40 (1-1/2 in.)	F040R0
Flange / DN 50 (2 in.) / DN 50 (2 in.)	F050R0
Flange / DN 80 (3 in.) / DN 80 (3 in.)	F080R0
Flange / DN 100 (4 in.) / DN 100 (4 in.)	F100R0
Flange / DN 150 (6 in.) / DN 150 (6 in.)	F150R0
Flange / DN 200 (8 in.) / DN 200 (8 in.)	F200R0
Flange / DN 250 (10 in.) / DN 250 (10 in.)	F250R0
Flange / DN 300 (12 in.) / DN 300 (12 in.)	F300R0

Pressure Rating

PN 10	D1
PN 16	D2
PN 25	D3
PN 40	D4
PN 63	D5
PN 100	D6
PN 160	D7
ASME CL 150	A1
ASME CL 300	A3
ASME CL 600	A6
ASME CL 900	A7
JIS 7.5K	J0
JIS 10K	J1
JIS 5K	J2
JIS 20K	J3
JIS 30K	J4
Others	Z9

VortexMaster FSV430, FSV450

Vortex flowmeter

Base model

VortexMaster FSV430 Vortex Flowmeter	XX	XX	XX
VortexMaster FSV450 Intelligent Vortex Flowmeter	XX	XX	XX
Temperature Range of Measuring Medium			
Standard -55 ... 280 °C (-67 ... 536 °F)	A1		
Extended -55 ... 400 °C (-67 ... 752 °F)	1) B1		
Housing Material / Cable Glands			
Aluminium / 2 pcs. metric, M20 x 1.5, cable glands mounted		A1	
Aluminium / 2 pcs. 1/2 in. NPT threads, cable glands not included		B1	
Stainless steel 316L / 2 pcs. metric, M20 x 1.5, cable glands mounted		S1	
Stainless steel 316L / 2 pcs. 1/2 in. NPT threads, cable glands not included		T1	
Output Signal			
HART digital communication and 4 ... 20 mA		1) H1	
HART digital communication, 4 ... 20 mA + digital contact output		H5	
Modbus communication with digital contact output		1) M4	

Additional ordering information

VortexMaster FSV430 Vortex Flowmeter	XX	XXX	XXX	XX	XXX	XX	XX	XXX
VortexMaster FSV450 Intelligent Vortex Flowmeter	XX	XXX	XXX	XX	XXX	XX	XX	XXX
Integrated Digital Display (LCD)								
With Display and Glass Cover	L1							
With Integrated LCD Display with Push Buttons TTG	L2							
Piezo Sensor Sealing Material								
PTFE (-20 ... 260 °C / -4 ... 500 °F)	2) SP0							
Kalrez 6375 (-20 ... 275 °C / -4 ... 527 °F)	3) SP1							
Graphite (-55 ... 400 °C / -67 ... 752 °F)	4) SP2							
Ambient Temperature Range								
Extended -40 ... 85 °C (-40 ... 185 °F)			TA4					
Mounting Bracket Shape / Material								
For 2 in. pipe mounting / SST			5) B1					
Signal Cable Length								
10 m (approx. 32 ft)			5) SC2					
20 m (approx. 64 ft)			5) SC4					
30 m (approx. 96 ft)			5) SC6					
Others			5) SCZ					
Calibration Type								
5-point calibration						R5		
3-point calibration including application-specific k-factor to Reynolds number optimization					6) RR			
Surge / Transient Protector								
With integral surge / transient protector						1) S1		
Sensor Material								
Piezo sensor material Hastelloy C-276								SM1
All inner parts material Hastelloy C-276								SM2
All wetted parts material Hastelloy C-276								SM3

Additional ordering information

VortexMaster FSV430 Vortex Flowmeter	XX	XXX	XX	XX	XX	XX
VortexMaster FSV450 Intelligent Vortex Flowmeter	XX	XXX	XX	XX	XX	XX
Certificates						
Material monitoring with inspection certificate 3.1 acc. EN 10204	C2					
Material monitoring NACE MR 01-75 with inspection certificate 3.1 acc. EN 10204	CN					
Declaration of compliance with the order 2.1 acc. EN 10204	C4					
Inspection certificate 3.1 acc. EN 10204 of visual, dimensional and functional test	C6					
Inspection certificate 3.1 acc. EN 10204 of positive material identification PMI with material analysis	C5					
Inspection certificate 3.1 acc. EN 10204 of positive material identification PMI	CA					
Pressure test acc. to factory test plan	CB					
Test package (pressure test, non-destructive test, welder an welding procedure certificate)	CT					
SIL2 - certified acc. to IEC61508	8) CS					
Device Identification Plate						
Stainless steel plate with TAG no.						TC1
Adhesive label with TAG no.						TCC
Supplemental wired-on stainless steel plate						TCS
Others						TCZ
Documentation Language						
German						M1
English						M5
Chinese						M6
Russian						MB
Language package Western Europe / Scandinavia						MW
Language package Eastern Europe						ME
Special Applications						
Degreased for oxygen applications						P1
Hardware Options						
Integral RTD					7)	G1
Increased EMC protection acc. to NAMUR NE21					8)	G4
Operation Mode						
Steam energy flow					6)	N1
Water energy flow					6)	N2
Natural gas flow AGA / SGERG					6)	N3

- 1) Only available with VortexMaster FSV430
- 2) Application range -20 ... 260 °C / -4 ... 500 °F
- 3) Application range -20 ... 275 °C / -4 ... 527 °F
- 4) -55 ... 400 °C / -67 ... 752 °F
- 5) For remote sensor only
- 6) Only available with VortexMaster FSV450 or FSV430 with Modbus communication
- 7) Optional with VortexMaster FSV430, standard with VortexMaster FSV450
- 8) In preparation

VortexMaster FSV430, FSV450

Vortex flowmeter

Wafer type accessories (optional)

Description	Order code
Wafer type accessories, AISI 316Ti SST (1.4571), Meter size DN 15 (1/2 in.) / DN 25 (1 in.), Pressure rating PN 10 ... PN 40	D614L384U01
Wafer type accessories, AISI 316Ti SST (1.4571), Meter size DN 15 (1/2 in.), Pressure rating PN 64 ... PN 100	D614L384U15
Wafer type accessories, AISI 316Ti SST (1.4571), Meter size DN 15 (1/2 in.), Pressure rating ASME CL 150 ... 600	D614L498U01
Wafer type accessories, AISI 316Ti SST (1.4571), Meter size DN 25 (1 in.), Pressure rating PN 64 ... PN 100	D614L384U11
Wafer type accessories, AISI 316Ti SST (1.4571), Meter size DN 25 (1 in.), Pressure rating ASME CL 150	D614L414U01
Wafer type accessories, AISI 316Ti SST (1.4571), Meter size DN 25 (1 in.), Pressure rating ASME CL 300 ... CL 600	D614L414U02
Wafer type accessories, AISI 316Ti SST (1.4571), Meter size DN 40 (1-1/2 in.), Pressure rating PN 10 ... PN 40	D614L384U02
Wafer type accessories, AISI 316Ti SST (1.4571), Meter size DN 40 (1-1/2 in.), Pressure rating PN 64	D614L384U14
Wafer type accessories, AISI 316Ti SST (1.4571), Meter size DN 40 (1-1/2 in.), Pressure rating ASME CL 150	D614L414U03
Wafer type accessories, AISI 316Ti SST (1.4571), Meter size DN 40 (1-1/2 in.), Pressure rating ASME CL 300 ... CL 600	D614L414U04
Wafer type accessories, AISI 316Ti SST (1.4571), Meter size DN 50 (2 in.), Pressure rating PN 10 ... PN 40	D614L384U03
Wafer type accessories, AISI 316Ti SST (1.4571), Meter size DN 50 (2 in.), Pressure rating PN 64	D614L384U13
Wafer type accessories, AISI 316Ti SST (1.4571), Meter size DN 50 (2 in.), Pressure rating ASME CL 150	D614L414U05
Wafer type accessories, AISI 316Ti SST (1.4571), Meter size DN 50 (2 in.), Pressure rating ASME CL 300	D614L414U06
Wafer type accessories, AISI 316Ti SST (1.4571), Meter size DN 50 (2 in.), Pressure rating ASME CL 600	D614L414U14
Wafer type accessories, AISI 316Ti SST (1.4571), Meter size DN 80 (3 in.), Pressure rating PN 10 ... PN 40	D614L384U04
Wafer type accessories, AISI 316Ti SST (1.4571), Meter size DN 80 (3 in.), Pressure rating PN 64	D614L384U12
Wafer type accessories, AISI 316Ti SST (1.4571), Meter size DN 80 (3 in.), Pressure rating ASME CL 150	D614L414U07
Wafer type accessories, AISI 316Ti SST (1.4571), Meter size DN 80 (3 in.), Pressure rating ASME CL 300 ... CL 600	D614L414U08
Wafer type accessories, AISI 316Ti SST (1.4571), Meter size DN 100 (4 in.), Pressure rating PN 10 ... PN 16	D614L384U05
Wafer type accessories, AISI 316Ti SST (1.4571), Meter size DN 100 (4 in.), Pressure rating PN 25 ... PN 40	D614L384U06
Wafer type accessories, AISI 316Ti SST (1.4571), Meter size DN 100 (4 in.), Pressure rating PN 64	D614L384U16
Wafer type accessories, AISI 316Ti SST (1.4571), Meter size DN 100 (4 in.), Pressure rating ASME CL 150	D614L414U09
Wafer type accessories, AISI 316Ti SST (1.4571), Meter size DN 100 (4 in.), Pressure rating ASME CL 300	D614L414U10
Wafer type accessories, AISI 316Ti SST (1.4571), Meter size DN 100 (4 in.), Pressure rating ASME CL 600	D614L414U13
Wafer type accessories, AISI 316Ti SST (1.4571), Meter size DN 150 (6 in.), Pressure rating PN 10 ... PN 16	D614L384U07
Wafer type accessories, AISI 316Ti SST (1.4571), Meter size DN 150 (6 in.), Pressure rating PN 25 ... PN 40	D614L384U08
Wafer type accessories, AISI 316Ti SST (1.4571), Meter size DN 150 (6 in.), Pressure rating PN 64	D614L384U17
Wafer type accessories, AISI 316Ti SST (1.4571), Meter size DN 150 (6 in.), Pressure rating ASME CL 150	D614L414U11
Wafer type accessories, AISI 316Ti SST (1.4571), Meter size DN 150 (6 in.), Pressure rating ASME CL 300	D614L414U12

Trademarks

® HART is a registered trademark of FieldComm Group, Austin, Texas, USA

® Modbus is a registered trademark of the Modbus Organization

® Kalrez and Kalrez Spectrum™ are registered trademarks of DuPont Performance Elastomers.

™ Hastelloy C is a trademark of Haynes International

Questionnaire

Customer:	Date:
Ms. / Mr.:	Department:
Telephone:	Fax:

Measuring system:	<input type="checkbox"/> VortexMaster FSV430	Optional
		<input type="checkbox"/> Integrated resistance thermometer Pt100
		<input type="checkbox"/> Digital output (switch, pulse, frequency output)
	<input type="checkbox"/> VortexMaster FSV450	(with integrated resistance thermometer Pt100, digital output, and analog input)

Measuring medium: (Aggregate state)	<input type="checkbox"/> Liquid	<input type="checkbox"/> Gas	<input type="checkbox"/> Steam
Flow rate: (min., max., operating point)	Operating condition	Standard condition	Mass
	<input type="checkbox"/> m ³ /h	<input type="checkbox"/> m ³ /h	<input type="checkbox"/> kg/h
	<input type="checkbox"/> US gal/min	<input type="checkbox"/> ft ³ /h	<input type="checkbox"/> lb/h
Density: (min., max., operating point)	<input type="checkbox"/> kg/m ³	<input type="checkbox"/> Operating condition	<input type="checkbox"/> kW
	<input type="checkbox"/> lb/ft ³	<input type="checkbox"/> Standard condition	<input type="checkbox"/> MJ/h
Viscosity:	<input type="checkbox"/> mPas/cP		
	<input type="checkbox"/> cst		
Measuring medium temperature: (min., max., operating point)	<input type="checkbox"/> °C		
	<input type="checkbox"/> °F		
Ambient temperature:	<input type="checkbox"/> °C		
	<input type="checkbox"/> °F		
Pressure: (min., max., operating point)	<input type="checkbox"/> bar		
	<input type="checkbox"/> psi		
Nominal diameter / pressure rating of the piping:	<input type="checkbox"/> DN		
	<input type="checkbox"/> PN		
Effective inside diameter of the piping:	<input type="checkbox"/> mm		

Transmitter design / communication:	<input type="checkbox"/> 4 ... 20 mA, HART (FSV430 / FSV450)	<input type="checkbox"/> Modbus RTU (FSV430)	<input type="checkbox"/> PROFIBUS PA (in preparation)	<input type="checkbox"/> FOUNDATION Fieldbus (in preparation)
Explosion protection:	<input type="checkbox"/> Without		<input type="checkbox"/> Zones 0, 1, 20, 21 / Div. 1 (Ex ia / IS)	
	<input type="checkbox"/> Zones 2, 22 / Cl. 1, Div. 2		<input type="checkbox"/> Zone 0, 1, 20, 21 / Div. 1 (Ex d / XP)	

NOTE

If a Vortex- / Swirl flowmeter with PROFIBUS PA or FOUNDATION Fieldbus communication is needed, please select model FV4000 / FS4000.

Notes

Notes

Contact us

ABB Limited

Process Automation

Howard Road, St. Neots
Cambridgeshire, PE19 8EU
UK

Tel: +44 (0)870 600 6122

Fax: +44 (0)1480 213 339

Mail: enquiries.mp.uk@gb.abb.com

ABB Inc.

Process Automation

125 E. County Line Road
Warminster, PA 18974
USA

Tel: +1 215 674 6000

Fax: +1 215 674 7183

ABB Automation Products GmbH

Process Automation

Dransfelder Str. 2
37079 Goettingen
Germany

Tel: +49 551 905-0

Fax: +49 551 905-777

ABB Engineering (Shanghai) Ltd.

Process Automation

No. 4528, Kangxin Highway, Pudong New
District
Shanghai, 201319,
P.R. China

Tel: +86(0) 21 6105 6666

Fax: +86(0) 21 6105 6677

Mail: china.instrumentation@cn.abb.com

www.abb.com/flow

Note

We reserve the right to make technical changes or modify the contents of this document without prior notice.

With regard to purchase orders, the agreed particulars shall prevail. ABB does not accept any responsibility whatsoever for potential errors or possible lack of information in this document.

We reserve all rights in this document and in the subject matter and illustrations contained therein. Any reproduction, disclosure to third parties or utilization of its contents in whole or in parts – is forbidden without prior written consent of ABB.

Copyright© 2015 ABB

All rights reserved

3KXF310001R1001



FSV430



FSV450



Service