

NUTORK[®]

Actuators & Valves



HERSHEY VALVE

Plastic Ball Valve & Butterfly Valve



NUTORK CORPORATION

- Pressure rating:150 PSI @73.4oF(23)
- Full port design
- Adjustable seat tightness
- Easy to disassemble by handle
- Less on-line down time for replacement / maintenance
- Actuator could be installed with inserted nut
- Standard Product is without nut
- Pneumatic actuator specification meets with ISO 5211, DIN 3337,VDI/VDE 3845,NAMUR,easy to assemble solenoid valve,limit Switches and accessories
- Pneumatic actuator max,Air Supply pressure 8 kg/cm², min.air pressure 4 kg/cm²
- Electric actuator operation voltage 1-phase 110/220V 3-phase 220/380/460V
- Electric actuator could manually operate w/o clutch and break

Manual Type	Pneumatic Type	Electric Type	Size	Standard	Material	Seat	O-Ring	End type
VP-640	VP-680	VP-690	1/2"~4"	ANSI,JIS DIN,BS	PVC	PTFE	EPDM FPM	Socket Threaded Flanged
VP-641	VP-681	VP-691	1/2"~4"	ANSI,JIS DIN,BS	CPVC	PTFE	EPDM FPM	Socket Threaded Flanged
VP-643	VP-683	VP-693	1/2"~4"	ANSI,JIS DIN,BS	PVDF	PTFE	EPDM FPM	Socket Threaded Flanged
VP-644	VP-684	VP-694	1/2"~4"	ANSI,JIS DIN,BS	PP	PTFE	EPDM FPM	Socket Threaded Flanged
VP-645	VP-685	VP-695	1/2"~4"	ANSI,JIS DIN,BS	ABS	PTFE	EPDM FPM	Socket Threaded Flanged

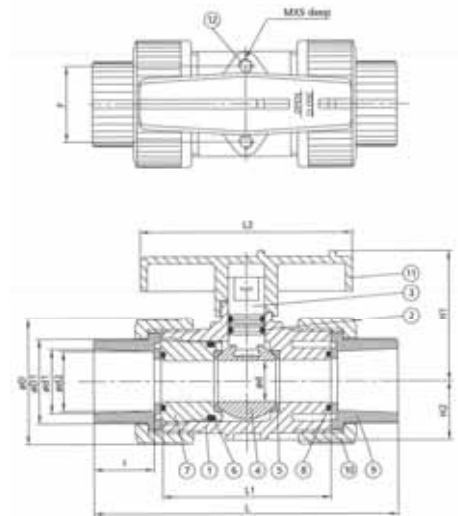
There is no flanged end for BS

NO.	Part	Material
1	Body	UPVC,CPVC,PP,PVDF,ABS
2	Stem O-Ring	EPDM,FPM
3	Stem	UPVE,CPVC,PP,PVDF,ABS
4	Ball	UPVE,CPVC,PP,PVDF,ABS
5	Seat Seal	PTFE
6	Carrier O-Ring	EPDM,FPM
7	Seal Carrier	UPVE,CPVC,PP,PVDF,ABS
8	Union O-Ring	EPDM,FPM
9	End Connetor	UPVE,CPVC,PP,PVDF,ABS
10	Union Nut	UPVE,CPVC,PP,PVDF,ABS
11	Handle	ABS,PP
12	Inserted Nut	C3604



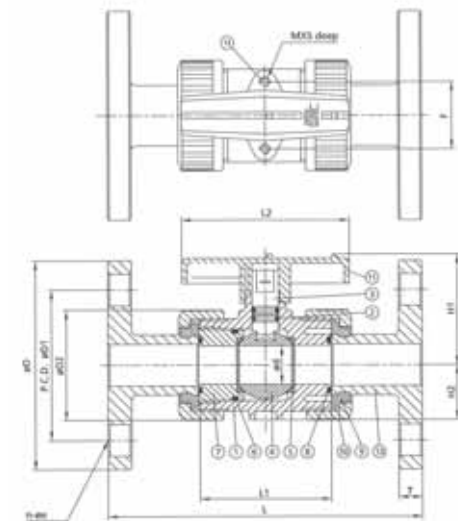
Dimensions of Socket / Screwed Double Union Ball Valve

Nom	SIZE	15mm	20mm	25mm	32mm	40mm	50mm	65mm	80mm	100mm
		(1/2")	(3/4")	(1")	(1-1/4")	(1-1/2")	(2")	(2-1/2")	(3")	(4")
JIS	d1	22.30	26.30	32.33	38.43	48.46	60.56	76.60	89.6	114.7
	d2	21.70	25.70	31.67	37.57	47.54	59.44	75.87	88.83	113.98
	I	22.22	25.4	28.6	31.8	34.9	38.1	60.7	63	69
ANSI	d1	21.54	26.87	33.65	42.42	48.56	60.63	73.38	89.31	114.76
	d2	21.23	26.57	33.27	42.04	48.11	60.17	72.85	88.7	114.07
	I	22.22	25.40	28.58	31.75	34.93	38.10	45.45	47.63	57.15
DIN	d1	20.3	25.3	32.3	40.3	50.3	63.3	75.3	90.3	110.4
	d2	20.1	25.1	32.1	40.1	50.1	63.1	75.1	90.1	110.1
	I	16	19	22	26	31	38	44	51	61
BS	d1	21.5	26.9	33.7	42.4	48.4	60.5	75.5	89.1	114.5
	d2	21.3	26.7	33.5	42.2	48.2	60.3	75.0	88.8	114.1
	I	16.5	19.5	22.5	27	30	36	44.45	47.63	57.15
	PT	14	14	11	11	11	11	11	11	11
	NPT	14	14	11.5	11.5	11.5	11.5	8	8	8
thd./in										
D		45	55	66	82	98	120	140	163	225
D1		31	37	44	54	65	79	92	108	146
d		12	18	23	30	38	48	61	69	99
L		112	132	144	167	172	206	273	303	333
L1		60	73	78	87	92	112	136	158	176
L2		78	92	100	110	121	147	180	224	278
H1		48	57	66	76	88	108	116	130	178
H2		20.5	26	33	38	42	53	-	-	-
F		30	33	40	47	52	70	-	-	-
M		M5	M6	M6	M8	M8	M8	-	-	-
S		7	8	11	11	11	15	-	-	-



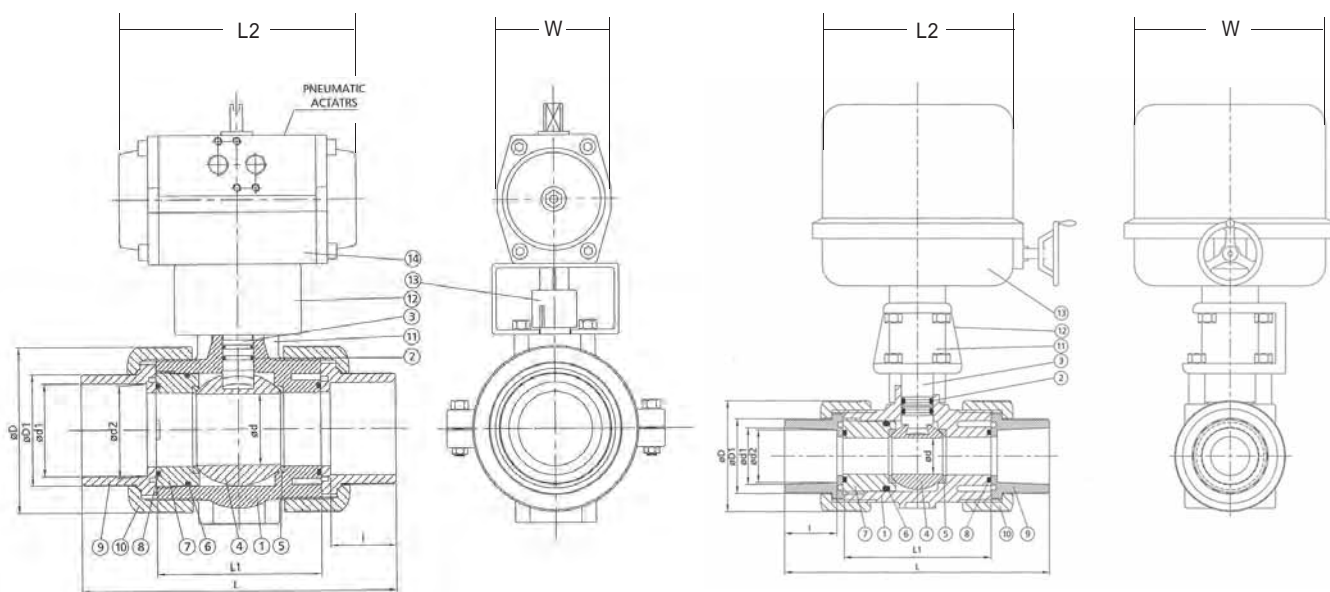
Dimensions of Flanged Double Union Ball Valve

Nom	SIZE	15mm	20mm	25mm	32mm	40mm	50mm	65mm	80mm	100mm
		(1/2")	(3/4")	(1")	(1-1/4")	(1-1/2")	(2")	(2-1/2")	(3")	(4")
JIS	D1	95	100	125	135	140	155	175	185	210
	D2	70	75	90	100	105	120	140	150	175
	L	143	172	187	190	212	234	259	304	372
	n-Φe	4-15	4-15	4-19	4-19	4-19	4-19	4-19	4-19	8-19
ANSI	D	89	98	108	117	127	152	178	191	229
	D1	61	70	79	89	99	121	140	152	191
	L	143	172	187	190	212	234	259	304	372
	n-Φe	4-16	4-16	4-16	4-16	4-16	4-19	4-19	4-19	8-19
DIN	D	95	105	115	140	150	165	185	200	220
	D1	65	75	85	100	110	125	145	163	180
	L	130	150	160	180	200	230	290	310	350
	n-Φe	4-14	4-14	4-14	4-18	4-18	4-18	4-18	8-18	8-18
D2		45	55	66	82	98	120	140	160	225
d		13	18	23	30	38	48	61	69	100
L1		60	73	78	87	92	112	135	156	176
L2		78	92	100	110	121	147	180	224	278
H1		48	57	66	76	88	108	116	130	178
H2		20.5	26	33	38	42	53	-	-	-
T		13	14	14	16	16	16	18	18	18
F		30	33	40	47	52	70	-	-	-
M		M5	M6	M6	M8	M8	M8	-	-	-
S		7	8	11	11	11	15	-	-	-



SIZE		15mm (1/2")	20mm (3/4")	25mm (1")	32mm (1-1/4")	40mm (1-1/2")	50mm (2")	65mm (2-1/2")	80mm (3")	100mm (4")
JIS	d1	22.30	26.30	32.33	38.43	48.46	60.56	76.60	89.6	114.7
	d2	21.70	25.70	31.67	37.57	47.54	59.44	75.87	88.83	113.98
	l	22.22	25.4	28.6	31.8	34.9	38.1	60.7	63	69
ANSI	d1	21.54	26.87	33.65	42.42	48.56	60.63	73.38	89.31	114.76
	d2	21.23	26.57	33.27	42.04	48.11	60.17	72.85	88.7	114.07
	l	22.22	25.40	28.58	31.75	34.93	38.10	45.45	47.63	57.15
DIN	d1	20.3	25.3	32.3	40.3	50.3	63.3	75.3	90.3	110.4
	d2	20.1	25.1	32.1	40.1	50.1	63.1	75.1	90.1	110.1
	l	16	19	22	26	31	38	44	51	61
BS	d1	21.5	26.9	33.7	42.4	48.4	60.5	75.5	89.1	114.5
	d2	21.3	26.7	33.5	42.2	48.2	60.3	75.0	88.8	114.1
	l	16.5	19.5	22.5	27	30	36	44.45	47.63	57.15
thd./in	NPT	14	14	11	11	11	11	11	11	11
	PT	14	14	11.5	11.5	11.5	11.5	8	8	8
D		45	55	66	82	98	120	140	163	225
D1		31	37	44	54	65	77.9	92	108	146
d		12	18	23	30	38	48	61	69	99
L		112	132	144	167	172	206	273	303	333
L1		60	73	78	87	92	112	136	158	176
Double Acting Pneumatic Actuator	Model	NKD-032	NKD-032	NKD-032	NKD-052	NKD-052	NKD-052	NKD-063	NKD-075	NKD-092
	L2	110	110	110	153	153	153	174	196	249
	W	45	45	45	71	71	71	83	95	109
Single Acting Pneumatic Actuator	Model	NKS-052	NKS-052	NKS-052	NKS-052	NKS-075	NKS-075	NKS-083	NKS-092	NKS-125
	L2	153	153	153	153	196	196	208	249	326
	W	71	71	71	71	95	95	103	109	143
On/off Type Electric Actuator	Model	NTE-02	NTE-02	NTE-02	NTE-02	NTE-02	NTE-02	NTE-05	NTE-10	NTE-20
	L2	160	160	160	160	160	160	160	196	255
	W	97	97	97	97	97	97	113	121	158
Modulating Type Electric Actuator	Model	NTE-05E	NTE-05E	NTE-05E	NTE-05E	NTE-05E	NTE-05E	NTE-05E	NTE-10E	NTE-20E
	L2	160	160	160	160	160	160	160	160	160
	W	113	113	113	113	113	113	113	113	113

Note : All the above pneumatic actuator @5 bar air pressure.



- Pressure rating :2"-10"150 PSI,12"100 PSI,14,16"86 PSI,18"72 PSI,20"-24"51 PSI (Standard stem:SUS 410+heat process
The stem of SUS 304, or SUS 316,or SUS 316L the working pressure is lower.)
- Lower torque and seal hermetically
- Low flow loss
- The opening angle of the disc could be seen clearly through the arrow on top of the gear box.
- Ideally suited in a limited piping space
- Easy to mount actuator with flat zone design at the top of valve
- Pneumatic actuator specification meets with ISO 5211,VDI / VDE 3845,DIN 3337,NAMUR,easy to assemble solenoid valve,limit
Switches and accessories.
- Pneumatic actuator max ,Air Supply pressure 8kg/cm² min, air pressure 5kg/cm²
- Electric actuator operation voltage 1-phase 110 / 220 V, 3-phase 220 / 380 / 460V
- Electric actuator could manually operate w/o clutch and break

Type	Type	Type	Size	Standard	Material	Seat	Disc	O-Ring	End type
VP-820	VP-830	VP-840	2"-24"	ANSI,JIS DIN,BS	PVC	EPDM,FPM	PP	EPDM FPM	Flanged
VP-821	VP-831	VP-841	2"-24"	ANSI,JIS DIN,BS	CPVC	EPDM,FPM	CPVC	EPDM FPM	Flanged
VP-823	VP-833	VP-843	2"-24"	ANSI,JIS DIN,BS	PVDF	EPDM,FPM	PVDF	EPDM FPM	Flanged
VP-824	VP-834	VP-844	2"-24"	ANSI,JIS DIN,BS	PP	EPDM,FPM	PP	EPDM FPM	Flanged

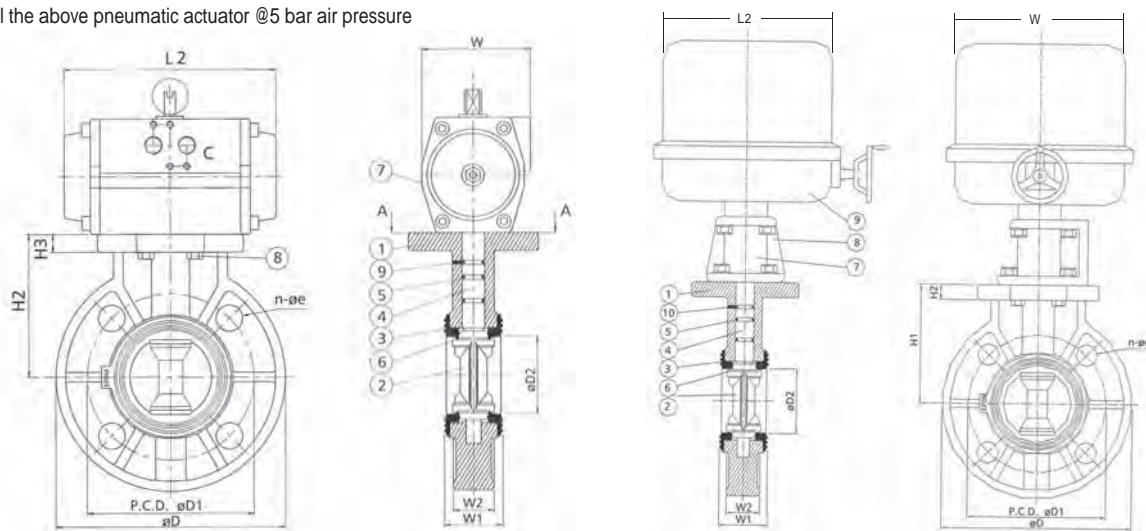
NO.	Part	Material
1	Body	UPVC,CPVC,PVDF,PP
2	Disc	CPVC,PVDF,PP
3	Seal	EPDM,FPM
4	Stem	SUS 410
5	Stem O-Ring	EPDM,FPM
6	O-Ring	EPDM,FPM
7	Handwheel	FC 20
8	Gear Box	CI POWDER PAINT
9	Bolt & Washer	SUS 304
10	Spring Pin	STEEL
11	Packing	EPDM 6"-14"
12	Small Handle	STEEL



NUTORK[®] | Plastic Butterfly Valve

SIZE		50mm (2")	65mm (2-1/2")	80mm (3")	100mm (4")	120mm (5")	150mm (6")	200mm (8")	250mm (10")	300mm (12")	350mm (14")	400mm (16")	450mm (18")	500mm (20")	600mm (24")
Nom															
JIS	D1	120	140	150	175	210	240	290	355	400	445	210	565	620	730
	n-Φe	4-19	4-19	8-19	8-19	8-23	8-23	12-23	12-25	16-25	16-25	16-27	20-27	20-27	24-35
ANSI	D1	120.39	139.44	152.40	190.50	216	241.55	298.5	362	432	476	540	578	635	749
	n-Φe	4-19	4-19	4-19	8-19	8-22	8-22	8-22	12-25	12-25	12-29	16-29	16-32	20-32	20-35
DIN	D1	125	145	160	180	210	240	295	350	400	460	515	565	620	725
	n-Φe	4-18	4-18	8-18	8-18	8-18	8-23	8-23	12-23	12-23	16-23	16-27	20-27	20-27	20-30
D		165	185	200	229	257	285	343	411	490	533	597	635	699	813
D2		56.5	69.5	79.5	102.5	130	152	203	255	309.5	365	406	452	502	603
D3		105	120	123	135	164	169	201	205	237	236	300	335	335	335
H2		103	113	115	135.5	165	177	210	242	302	300	350	370	400	465
H3		13	13	13	13	15	19	21	22	26	25	32	35	40	46
W1		43	46	46	56	69	70.5	85	109	133	127	168	189.5	189	209
W2		29	31	31	40	50	54	69	88	103.5	113	153	163	171	191
Air Connection		1/4"	1/4"	1/4"	1/4"	1/4"	1/4"	1/4"	1/4"	1/4"	1/4" / 3/8"	1/4" / 3/8"	1/4" / 3/8"	1/4" / 1/2"	1/4" / 1/2"
Double Acting Pneumatic Actuator	Model	NKD-052	NKD-063	NKD-075	NKD-083	NKD-092	NKD-092	NKD-125	NKD-140	NKD-160	NKD-190	NKD-190	NKD-210	NKD-210	NKD-210
	L2	153	174	196	208	249	249	326	396	457	538	538	568	568	568
	W	71	83	95	103	109	109	143	152	174	206	206	226	226	226
Single Acting Pneumatic Actuator	Model	NKS-063	NKS-075	NKS-092	NKS-105	NKS-125	NKS-125	NKS-140	NKS-190	NKS-210	NKS-240	NKS-240	NKS-240	NKS-270	NKS-270
	L2	174	196	249	278	326	326	396	538	568	660	660	660	740	740
	W	83	95	109	120	143	143	152	206	226	260	260	260	294	294
On/off Type Electric Actuator	Model	NTE-02	NTE-05	NTE-05	NTE-10	NTE-10	NTE-20	NTE-20	NTE-40	NTE-60	NTE-100	NTE-160	NTE-160	NTE-160	NTE-160
	L2	160	160	160	196	196	255	255	255	255	310	310	310	310	310
	W	97	113	113	121	121	158	158	158	158	207	207	207	207	207
Modulating Type Electric Actuator	Model	NTE-05E	NTE-05	NTE-05E	NTE-10E	NTE-10E	NTE-20E	NTE-20E	NTE-40E	NTE-60E	NTE-100E	NTE-160E	NTE-160E	NTE-160E	NTE-160E
	L2	160	160	160	196	196	255	255	255	255	310	310	310	310	310
	W	113	113	113	121	121	158	158	158	158	207	207	207	207	207

Note : All the above pneumatic actuator @5 bar air pressure



NUTORK Corp.

USA Office:
5010 Wright RD. Suite 200B Stafford,
TX 77478
Tel: +1-281-222-0018
Email: nutork-usa@nutork.com
Website: www.nutork.com

China Office:
No.10, Lane 899, Zhuguang Road,
Qingpu Area, Shanghai, China
Tel: 021-59887103/59888463/59888436
Fax: 021-59887203
Email: nutork@nutork.com