

## Head-mounted Two-wire Signal Conditioners 26-UNIT

### RTD TRANSMITTER

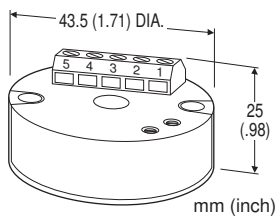
(isolated)

#### Functions & Features

- Accepts direct input from an RTD and provides a standard 4 - 20 mA DC signal
- Linearization and burnout
- Wide operating temperature range suitable for harsh environments

#### Typical Applications

- Mounting in a sensor connection head minimizes noise effect and signal degradation



## MODEL: 26RS-[1][2]

### ORDERING INFORMATION

- Code number: 26RS-[1][2]
- Specify a code from below for each of [1] and [2].  
(e.g. 26RS-4/K/BL)
- Temperature range (e.g. 0 - 100°C)

### [1] INPUT RTD (2- or 3-wire)

**1:** JPt 100 (JIS '89)

(Usable range: -100 to +500°C, -148 to +932°F, min.span: 50°C, 90°F)

**3:** Pt 100 (JIS '89)

(Usable range: -100 to +650°C, -148 to +1202°F, min.span: 50°C, 90°F)

**4:** Pt 100 (JIS '97, IEC)

(Usable range: -100 to +850°C, -148 to +1562°F, min.span: 50°C, 90°F)

**5:** Pt 50Ω (JIS '81)

(Usable range: -100 to +500°C, -148 to +932°F, min.span: 100°C, 180°F)

**6:** Ni 508.4 Ω

(Usable range: -50 to +200°C, -58 to +392°F; min.span: 30°C, 54°F)

Note: Consult M-System for 2-wire RTD

### [2] OPTIONS (multiple selections)

**Response Time (0 - 90 %)**

**blank:** Standard (≤ 0.5 sec.)

**/K:** Fast Response (Approx. 25 msec.)

### Burnout

**blank:** Upscale burnout

**/BL:** Downscale burnout

### GENERAL SPECIFICATIONS

**Construction:** Sensor head-mounting

**Connection:** Euro type terminal

**Applicable wire size:** 0.14 - 1.5 mm<sup>2</sup>, stripped length 6 mm

**Housing material:** Flame-resistant resin (black)

**Isolation:** Input to output

**Zero adjustment:** -1 to +1 % (front)

**Span adjustment:** 99 to 101 % (front)

**Linearization:** Standard

### INPUT SPECIFICATIONS

**Maximum leadwire resistance:** 20 Ω per wire (3-wire)

**Sensing current:** 0.7 mA (Pt); 0.35 mA (Ni 508.4 Ω)

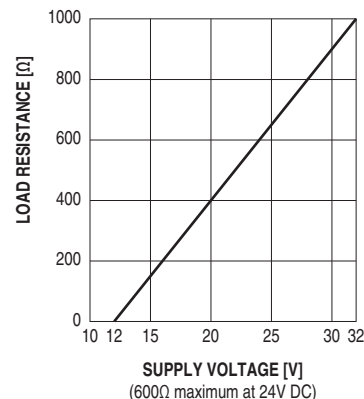
### OUTPUT SPECIFICATIONS

**Output:** 4 - 20 mA DC

**Load resistance vs. supply voltage:**

Load Resistance (Ω) = (Supply Voltage (V) - 12 (V)) ÷ 0.02

(A) (including leadwire resistance)



### INSTALLATION

**Supply voltage:** 12 - 32 V DC

**Operating temperature:** -40 to +85°C (-40 to +185°F)

**Operating humidity:** 0 to 90 %RH (non-condensing)

**Mounting:** Head-mounting (DIN type B head)

**Weight:** 20 g (0.71 oz)

### PERFORMANCE in percentage of span

**Accuracy:** ±0.2 %

**Temp. coefficient:** ±0.02 %/°C (±0.01 %/°F)

**Burnout response:** ≤ 10 sec.

**Insulation resistance:** ≥ 100 MΩ with 500 V DC

**Dielectric strength:** 2000 V AC @1 minute

(input to output to ground)

## STANDARDS & APPROVALS

EU conformity:

EMC Directive

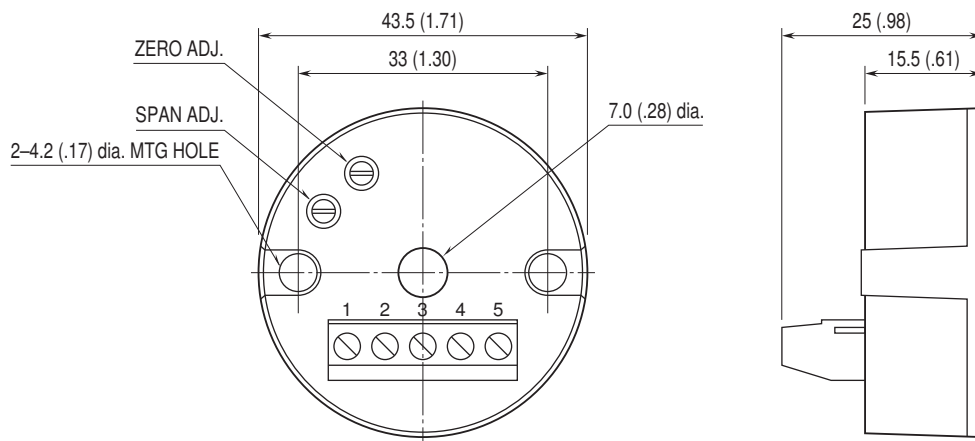
EMI EN 61000-6-4

EMS EN 61000-6-2

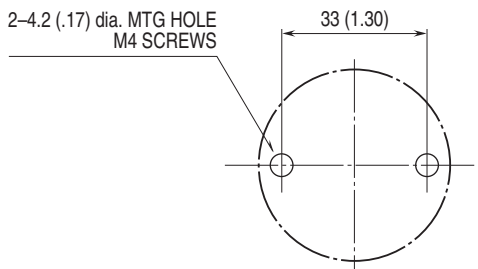
RoHS Directive

EN 50581

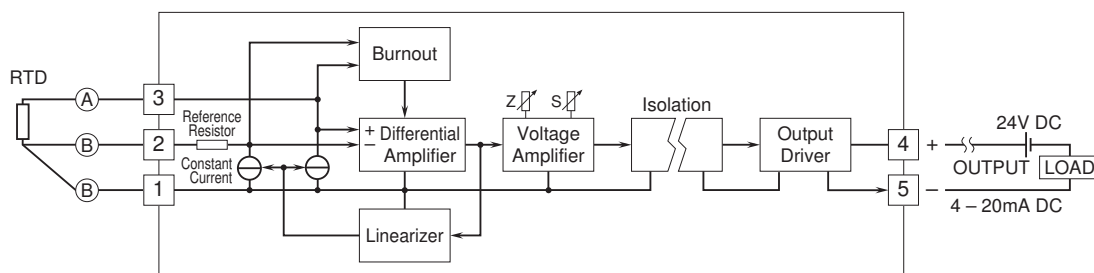
## EXTERNAL DIMENSIONS & TERMINAL ASSIGNMENTS unit: mm (inch)



## MOUNTING REQUIREMENTS unit: mm (inch)



## SCHEMATIC CIRCUITRY & CONNECTION DIAGRAM





Specifications are subject to change without notice.